
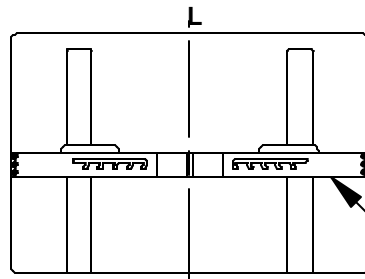
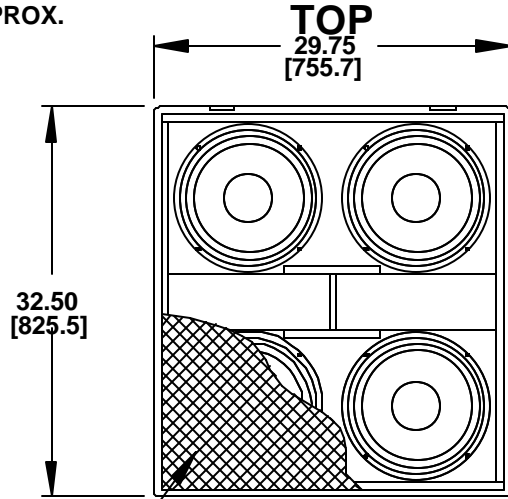


- NOTES:**
1. SYMBOL  INDICATES CENTER OF BALANCE.
  2. WEIGHT APPROX. 195 LBS. [88.5 Kg]
  3. SHIPPING WEIGHT APPROX. 207 LBS.[93.9 Kg]



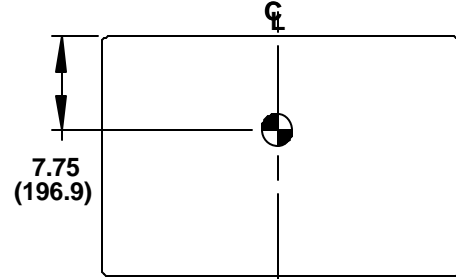
2X ARM ASSEMBLY



32.50 [825.5]

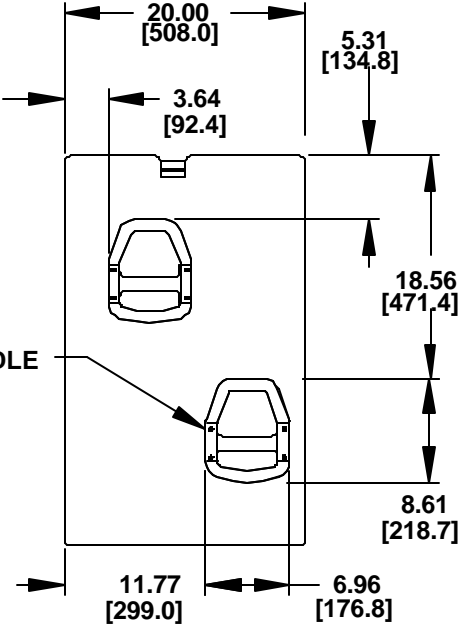
TOP  
29.75 [755.7]

GRILLE PARTIALLY SHOWN  
FRONT



7.75 [196.9]

BOTTOM



4X HANDLE

20.00 [508.0]

3.64 [92.4]

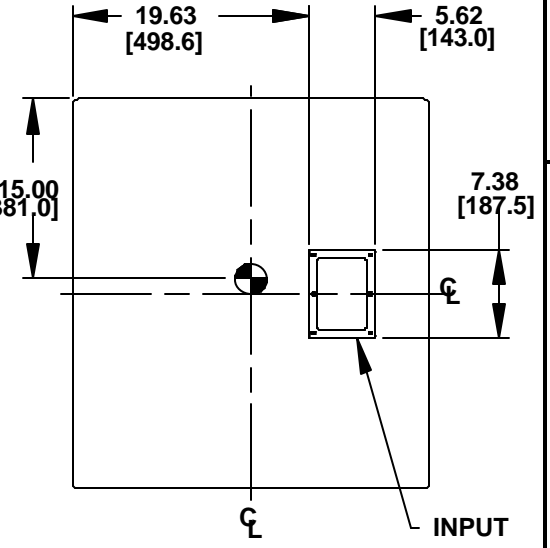
5.31 [134.8]

18.56 [471.4]

8.61 [218.7]

11.77 [299.0] 6.96 [176.8]

RIGHT SIDE  
DIMENSIONS APPLY TO  
BOTH SIDES



19.63 [498.6]

5.62 [143.0]

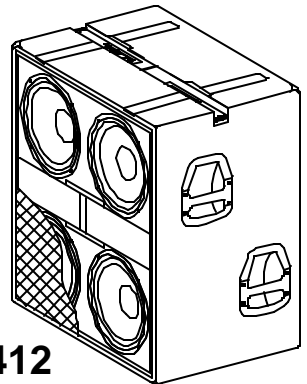
15.00 [381.0]

7.38 [187.5]

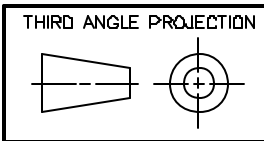
INPUT

BACK

REV	DESCRIPTION	APVD/DATE
C	ADDED METRIC DIMENSIONS AND UPDATED TOLERANCE BLOCK TO CURRENT STANDARDS PER ECOWHT4003 C AUGER 12/6/05.	RS 12/7/05



SB412



THIS DRAWING IS THE PROPERTY OF EAW AND SHALL NOT BE COPIED, REPRODUCED, OR USED AS THE BASIS FOR MANUFACTURE OR SALE OF APPARATUS WITHOUT WRITTEN AUTHORIZATION. DO NOT SCALE DRAWING.

UNLESS OTHERWISE SPECIFIED:  
ALL DIMENSIONS ARE INCHES [MILLIMETERS]

TOLERANCES  
LINEAR ± 0.13 in/ ± 3.3 mm  
ANGLES ± 1°

(X.XX) = REF DIMS  
NO TOLERANCE IMPLIED

TSC=THEORETICAL SHARP CORNER  
DIMENSIONS ACROSS CENTERLINES  
TO BE SYMMETRICAL

STATUS: PRODUCTION	
APPROVALS	DATE
DRAWN: DM	8/16/00
CHECKED: JRM	12/28/01
DES ENG: NDB	1/3/02
MFG ENG: DBD	1/4/02

**EAW** EASTERN ACOUSTIC WORKS  
ONE MAIN STREET  
WHITINSVILLE, MA 01588 USA

TITLE: CABINET/FINISHED/SB412  
[MECHANICAL SPECIFICATION]

A SHEET 1 OF 1 SCALE: 1 TO 16

DRAWING NUMBER: 509106 REVISION: C

DOCUMENT CONTROL PER SPECIFICATION 4.5.201