



TECHNICAL SPECIFICATIONS SM122e

DESCRIPTION

A 2-way passive full range system in a vented dual angle stage monitor enclosure. Includes a 12-in woofer and a 1-in exit compression driver on a 90 x 45 constant directivity horn.

APPLICATIONS

The SM122e high output professional stage monitor offers steep and shallow floor angles for placement options. Presence control helps eliminate feedback. Dual NL4 connectors facilitate "daisy chaining" multiple monitors. Six Year Warranty.

Applications include:

- Band PA
- Corporate Events
- Large Theaters
- Large HOW's
- Live Music Clubs

DESCRIPTIVE DATA

Part Number	999010
Product Group	G
LF Subsystem & Loading	1x 12-in, Vented
HF Subsystem & Loading	1x 1-in Exit Compression Driver on Constant Directivity Horn
System Configuration	2-way, Full Range Stage Monitor
Powering Mode	Passive LF/HF Crossover
Controls (switches, knobs)	Midrange Presence Control
Recommended High-Pass Frequency (24 dB/Octave)	45Hz
Cabinet Type (shape)	Irregular Pentagon, Stage Monitor
Enclosure Materials	Baltic Birch Plywood
Finish	Black Catalyzed Polyurethane
Connectors	2x Neutrik NL4 Speakon
Suspension Hardware	(2) 5/16"-18 Threaded Mounting/ Suspension Points on top to accept an external Ultimate Brand standmount adapter
Grill	Vinyl Coated Perforated Steel, Foam Backed



NOMINAL DATA

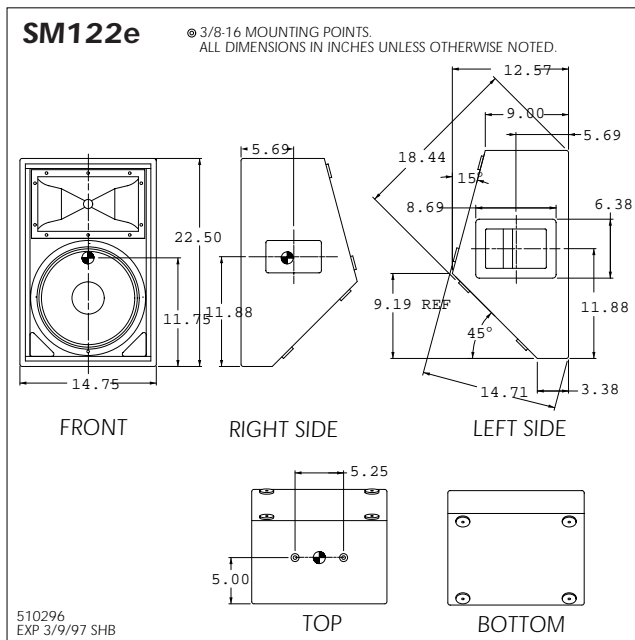
Frequency Response (Hz)		
±3 db	80Hz to 18kHz	
-10 dB	65Hz	
Axial Sensitivity (dB SPL/1 Watt/1m)		
99		
Impedance (Ohms)		
8		
Power Handling (Watts)		
AES Standard	450	
Calculated Maximum Output (dB SPL, @ 1m)		
Peak	131.5	
Long Term	125.5	
Nominal Coverage Angle / -6 dB points (degrees)		
Horizontal	90	
Vertical	45	
Dimensions		
	inches	millimeters
Height	22.5	572
Width	14.75	375
Depth	12.5	318
Minimum Stage Height	14.5	368
Floor Angle(s)	45° / 15°	
Weights		
	pounds	kilograms
Net Weight	48	21.8
Shipping Weight	54	24.6





TECHNICAL SPECIFICATIONS SM122e

DIMENSIONAL DRAWING



SERVICE ITEMS

LF: Complete Cone Driver

EAW Part No. 804058

HF: Complete Compression Driver/Tweeter

EAW Part No. 803020

ARCHITECTURAL SPECIFICATIONS

The two-way full range loudspeaker systems shall incorporate a 12-in LF transducer and a 1-in exit compression HF transducer.

The LF driver shall be mounted in a vented enclosure tuned for optimum low frequency response. The HF driver shall be loaded on a constant directivity horn with a nominal coverage pattern of 90° (h) x 45° (v). An internal passive filter network shall provide fourth order acoustical crossover and system equalization.

System frequency response shall vary no more than ± 3 dB from 80 Hz to 18 kHz measured on axis. The loudspeaker shall produce a Sound Pressure Level (SPL) of 99 dB SPL on axis at 1 meter with a power input of 1 Watt, and shall be capable of producing a peak output of 131.5 SPL on axis at 1 meter. The loudspeaker shall handle 450 Watts of amplifier power (AES Standard) and shall have a nominal impedance of 8 Ohms.

The loudspeaker enclosure shall be irregularly pentagonal in shape and shall have rubber footpads on two sides allowing its baffle to be angled up 45° or 15°. It shall be constructed of 15mm thickness void-free cross-grain-laminated Baltic birch plywood and shall employ extensive internal bracing. It shall be finished in black catalyzed polyurethane. Input connectors shall be dual Neutrik NL4 Speakon. A midrange frequency attenuating presence control shall be provided. Two 5/16"-18 threaded mounting/suspension points shall be provided on top of the enclosure spaced to accept an external Ultimate Brand standmount adapter. The front of the loudspeaker shall be covered with a vinyl coated perforated steel grill backed with open cell foam to protect against dust.

The two-way full range loudspeaker shall be the EAW model SM122e.