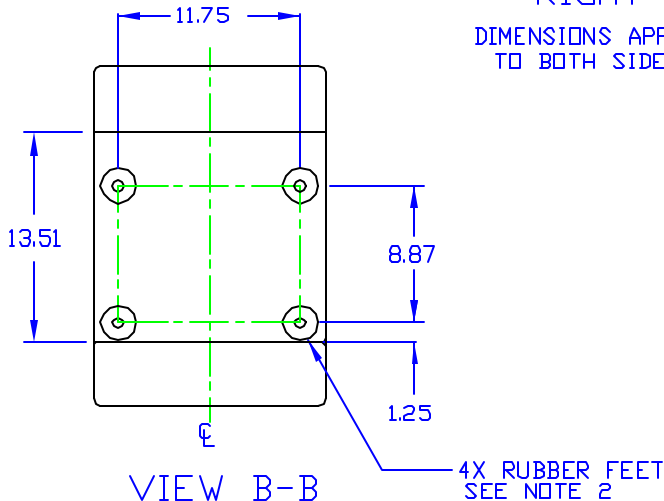
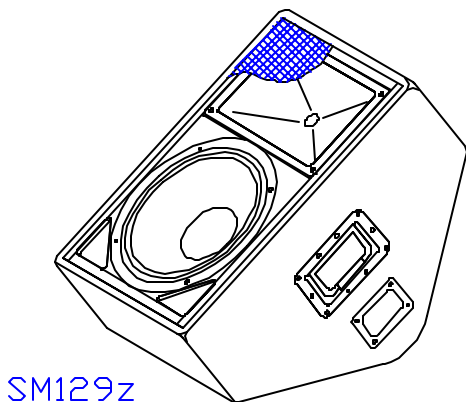
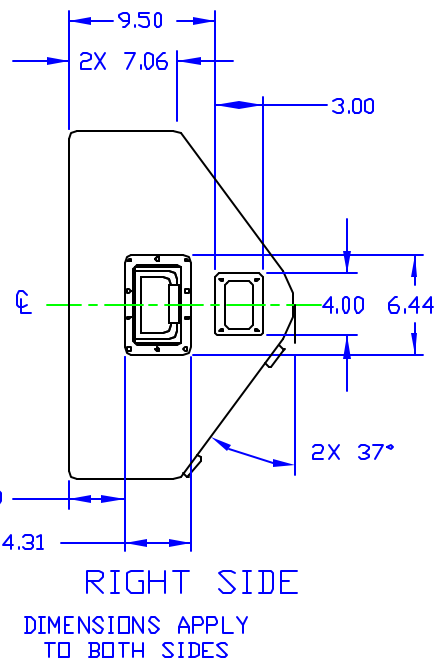
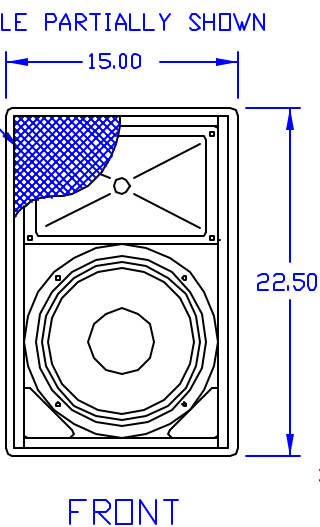
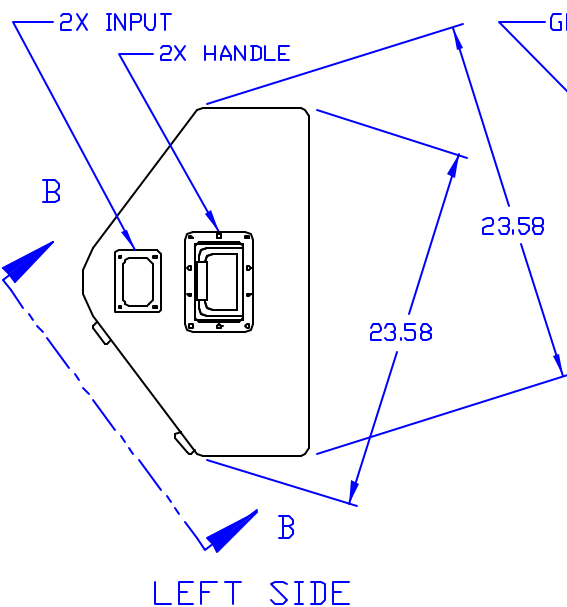
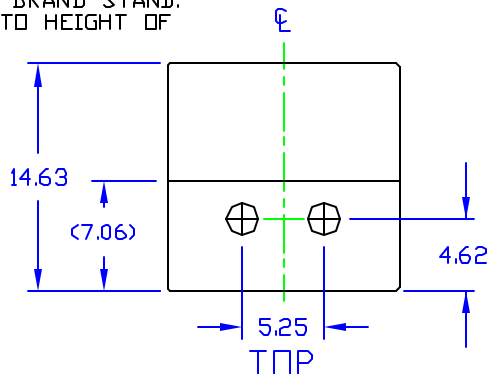


	REV	DESCRIPTION	APVD/DATE
	2	REVISED PER DSR 02-308 MFL 4/10/02	RS 4/10/02

NOTES:
 1. SYMBOL \oplus INDICATES MOUNTING POINT
 5/16-18 T-NUT FOR ULTIMATE BRAND STAND.
 2. FEET ADD APPROXIMATELY .4 TO HEIGHT OF CABINET.



DOCUMENT CONTROL PER SPECIFICATION 4.5.201

<p>THIRD ANGLE PROJECTION</p> <p>THIS DRAWING IS THE PROPERTY OF EAW AND SHALL NOT BE COPIED, REPRODUCED, OR USED AS THE BASIS FOR MANUFACTURE OR SALE OF APPARATUS WITHOUT WRITTEN AUTHORIZATION. DO NOT SCALE DRAWING.</p>	<p>UNLESS OTHERWISE SPECIFIED, ALL DIMENSIONS ARE IN INCHES</p> <p>TOLERANCE IN INCHES .XX ± .13 ANGLES ±1°</p> <p>Ø(XX) = REF DIMS NO TOLERANCE IMPLIED</p> <p>T.S.C.=THEORETICAL SHARP CORNER</p> <p>DIMENSIONS ACROSS CENTERLINES TO BE SYMMETRICAL</p>	STATUS: PROTOTYPE		<p>EASTERN ACOUSTIC WORKS ONE MAIN STREET WHEATONVILLE, WA 91588 USA</p>	
		APPROVALS			DATE
		DRAWN: DM			4/9/02
		CHECKED:			
		DES ENG:			
MFG ENG:					
TITLE: CABINET/FINISHED/BLACK/SM129z [MECHANICAL SPECIFICATION]					
A		SHEET 1 OF 1	SCALE: 1 TO 12		
DRAWING NUMBER: 0000359			REVISION: 2		