



TECHNICAL SPECIFICATIONS SM155e

DESCRIPTION

A 2-way passive full range system in a vented dual angle stage monitor enclosure. Includes a 15-in woofer and a 1-in exit compression driver on a 90 x 45 constant directivity horn.

APPLICATIONS

The SM155e extended bandwidth professional stage monitor offers steep and shallow floor angles for placement options. Presence control helps eliminate feedback. Dual NL4 connectors facilitate "daisy chaining" multiple monitors. Six Year Warranty.

Applications include:

- Band PA
- Corporate Events
- Large Theaters
- Large HOW's
- Live Music Clubs

DESCRIPTIVE DATA

Part Number	999011
Product Group	G
LF Subsystem & Loading	1x 15-in, Vented
HF Subsystem & Loading	1x 1-in Exit Compression Driver on Constant Directivity Horn
System Configuration	2-way, Full Range Floor Monitor
Powering Configuration(s)	Passive LF/HF Crossover
Controls (switches, knobs)	Midrange Presence Adjustment Switch
Recommended High-Pass Frequency (24 dB/Octave)	45Hz
Cabinet Type (shape)	Irregular Pentagon (Floor Monitor)
Enclosure Materials	Baltic Birch Plywood
Finish	Black catalyzed polyurethane
Connectors	2x Neutrik NL4 Speakon
Suspension Hardware	(2) 5/16" -18 Threaded Mounting/ Suspension Points on top to accept an external Ultimate Brand standmount adapter
Grill	Vinyl coated perforated steel, foam backed



NOMINAL DATA

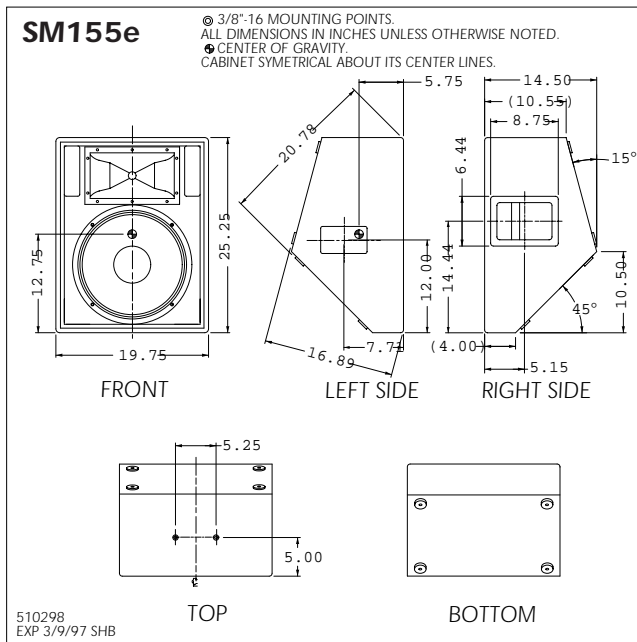
Frequency Response (Hz)	±3 db	70Hz to 17kHz	
	-10 dB	55Hz	
Axial Sensitivity (dB SPL/1 Watt/1m)	98		
Impedance (Ohm)	8		
Power Handling (Watts)	AES Standard	480	
	Calculated Maximum Output (dB SPL, @ 1m)	Peak	130.8
	Long Term	124.8	
Nominal Coverage Angle / -6 dB points (degrees)	Horizontal	90	
	Vertical	45	
Dimensions	Height	inches	millimeters
		25.25	641
	Width	19.75	502
	Depth	14.25	362
Minimum Stage Height	16.88	429	
Weights		pounds	kilograms
	Net Weight	62	28.2
	Shipping Weight	72	32.8





TECHNICAL SPECIFICATIONS SM155e

DIMENSIONAL DRAWING



SERVICE ITEMS

LF: Complete Cone Driver	EAW Part No. 804071
HF: Complete Compression Driver/Tweeter	EAW Part No. 803020
Filter/Crossover Network: Complete Assembly	EAW Part No. 225198

ARCHITECTURAL SPECIFICATIONS

The two-way full range loudspeaker systems shall incorporate a 15-in LF transducer and a 1-in exit compression HF transducer.

The LF driver shall be mounted in a vented enclosure tuned for optimum low frequency response. The HF driver shall be loaded on a constant directivity horn with a nominal coverage pattern of 90° (h) x 45° (v). An internal passive filter network shall provide fourth order acoustical crossover and system equalization.

System frequency response shall vary no more than ± 3 dB from 70 Hz to 17 kHz measured on axis. The loudspeaker shall produce a Sound Pressure Level (SPL) of 98 dB SPL on axis at 1 meter with a power input of 1 Watt, and shall be capable of producing a peak output of 130.8 SPL on axis at 1 meter. The loudspeaker shall handle 480 Watts of amplifier power (AES Standard) and shall have a nominal impedance of 8 Ohms.

The loudspeaker enclosure shall be irregularly trapezoidal in shape and shall have rubber footpads on two sides allowing its baffle to be angled up 45° or 15°. It shall be constructed of 15mm thickness void-free cross-grain-laminated Baltic birch plywood and shall employ extensive internal bracing. It shall be finished in black catalyzed polyurethane. Input connectors shall be dual Neutrik NL4 Speakon. Two 5/8"-18 threaded mounting/suspension points shall be provided on top configured to accept an external Ultimate Brand standmount adapter. A midrange frequency attenuating presence control shall be provided. The front of the loudspeaker shall be covered with a vinyl coated perforated steel grill backed with open cell foam to protect against dust.

The two-way full range loudspeaker shall be the EAW model SM155e.