

NOTES:  
 1. SYMBOL  $\oplus$  INDICATES MOUNTING POINT  
 5/16-18 T-NUT FOR ULTIMATE BRAND STAND.  
 2. FEET ADD APPROXIMATELY .4 TO HEIGHT OF CABINET.

REV	DESCRIPTION	APVD/DATE
2	REVISED PER DSR 02-308 MFL 4/10/02	RS 4/10/02

D

C

B

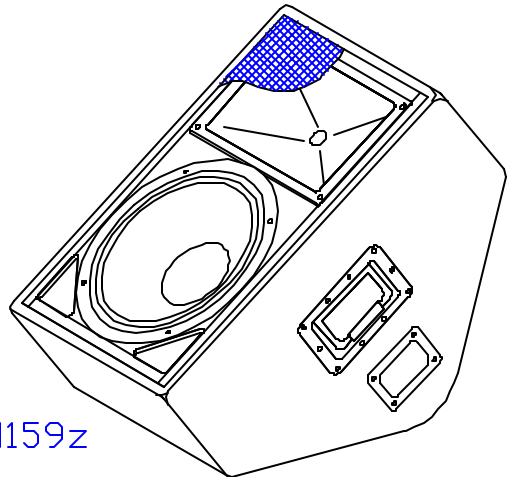
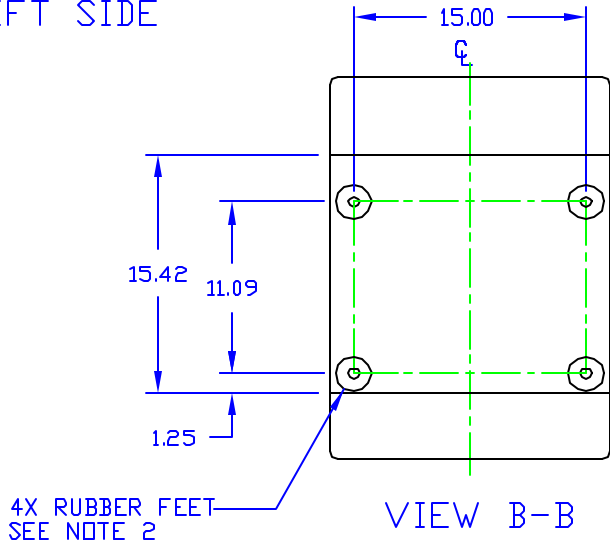
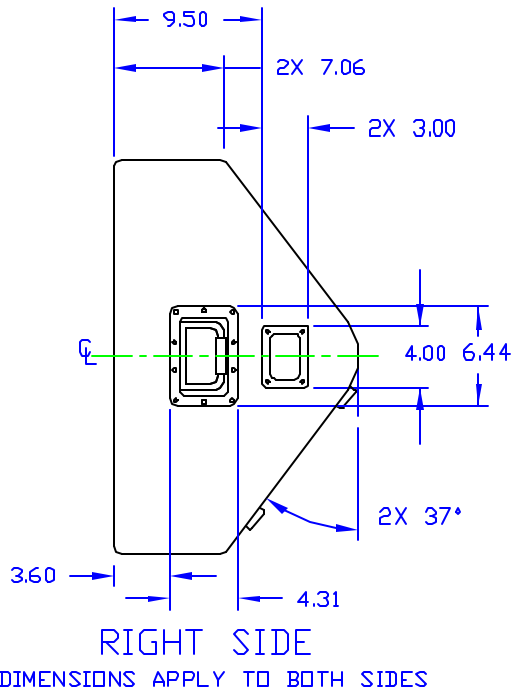
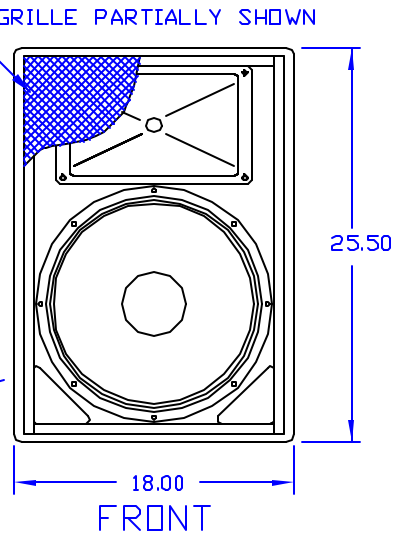
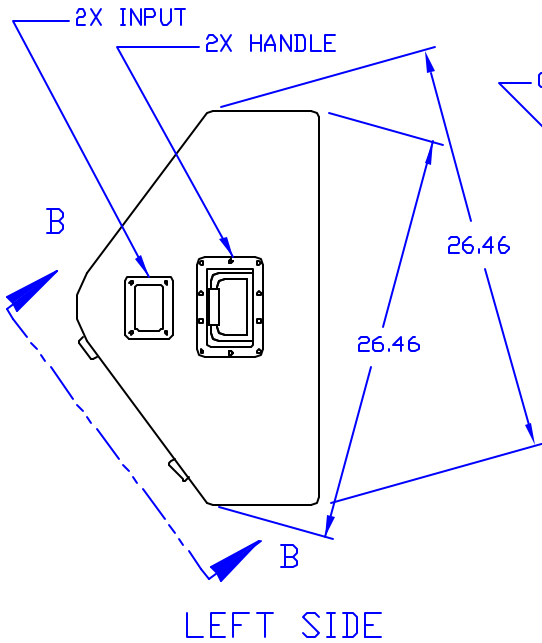
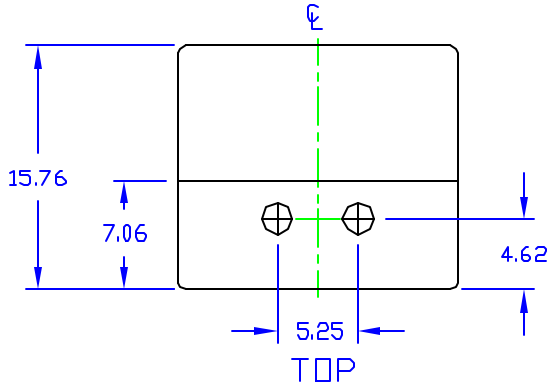
A

D

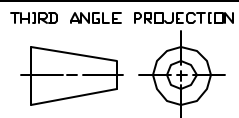
C

B

A



DOCUMENT CONTROL PER SPECIFICATION 4.5.201



UNLESS OTHERWISE SPECIFIED,  
 ALL DIMENSIONS ARE IN INCHES  
 TOLERANCE IN INCHES  
 XX ± .13  
 ANGLES ±1°

STATUS: PROTOTYPE

**EA** EASTERN ACOUSTIC WORKS  
 ONE MAIN STREET  
 WHITINSVILLE, MA 01569 USA

THIS DRAWING IS THE PROPERTY OF EA AND SHALL NOT BE COPIED, REPRODUCED, OR USED AS THE BASIS FOR MANUFACTURE OR SALE OF APPARATUS WITHOUT WRITTEN AUTHORIZATION. DO NOT SCALE DRAWING.

(X.XX) = REF DIMS  
 NO TOLERANCE IMPLIED  
 T.S.C.=THEORETICAL SHARP CORNER  
 DIMENSIONS ACROSS CENTERLINES TO BE SYMMETRICAL

APPROVALS	DATE
DRAWN: DM	4/9/02
CHECKED:	
DES ENG:	
MFG ENG:	

TITLE: CABINET/FINISHED/BLACK/SM159z [MECHANICAL SPECIFICATION]	SHEET 1 OF 1	SCALE: 1 TO 12
DRAWING NUMBER: 0000360	REVISION: 2	