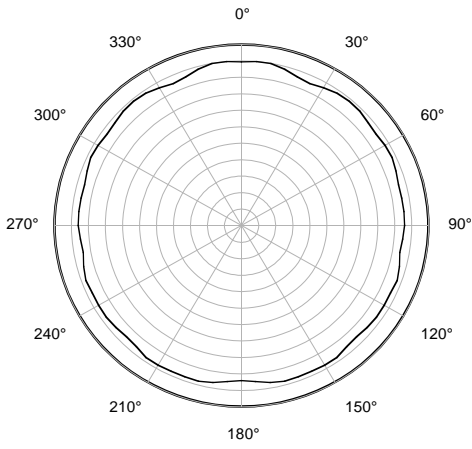
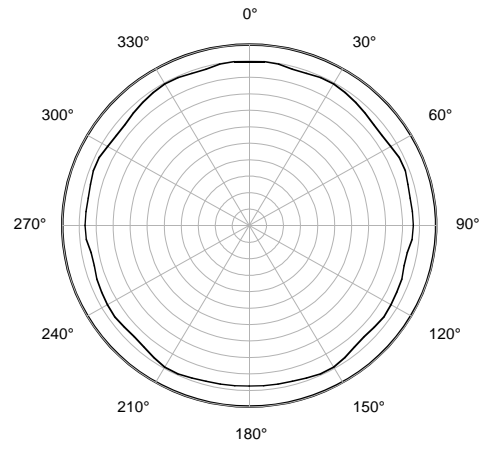


# Horizontal 1/3 Octave Band Polars for UB42

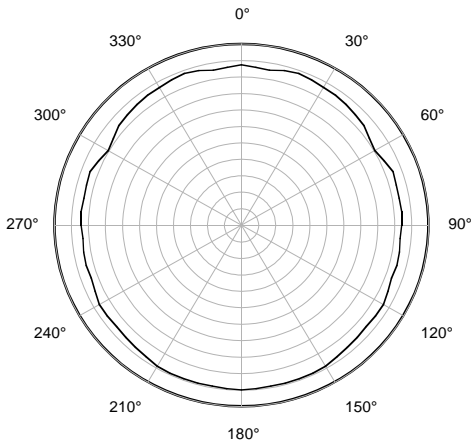
100



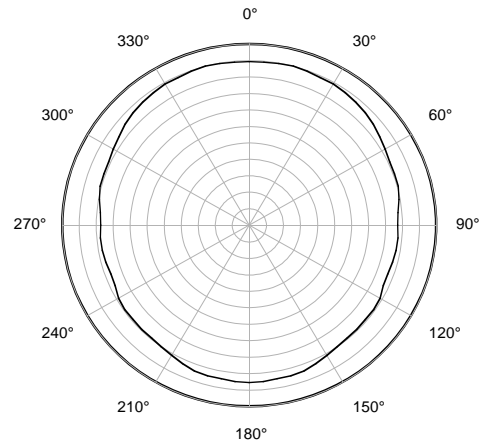
125



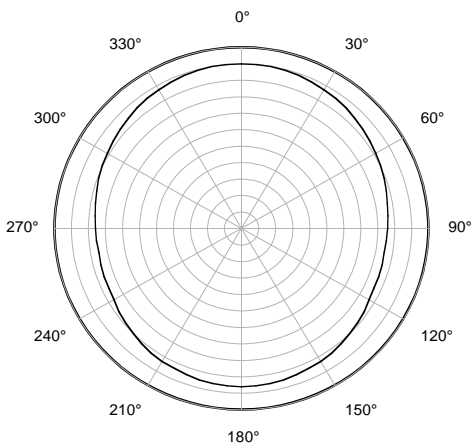
160



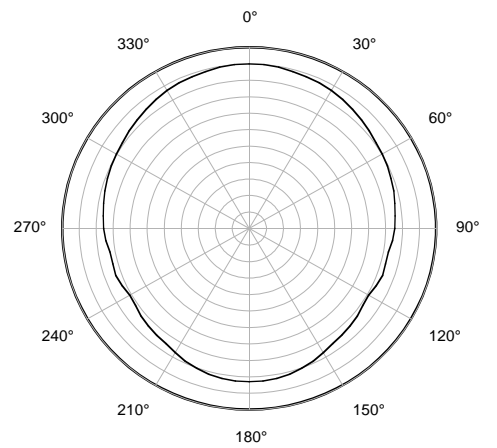
200



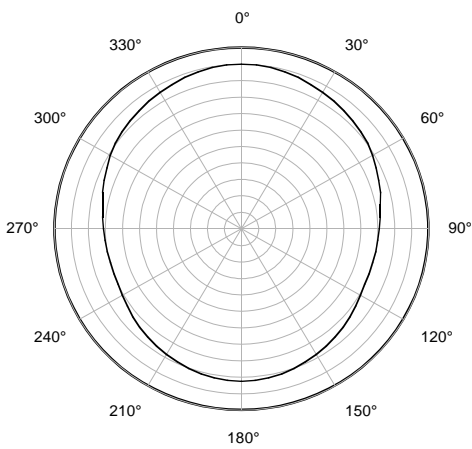
250



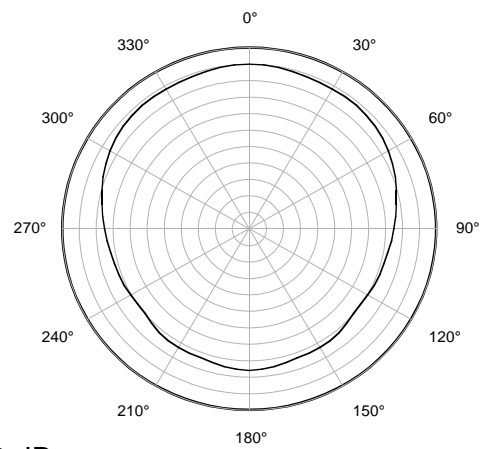
315



400



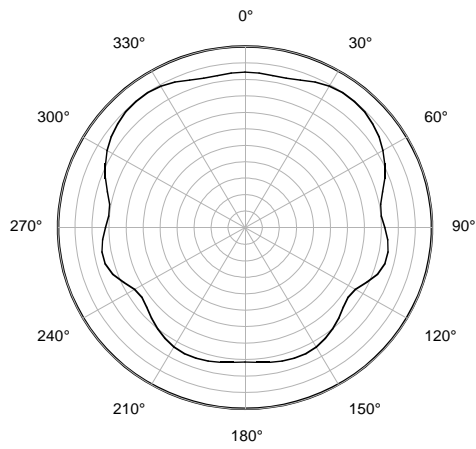
500



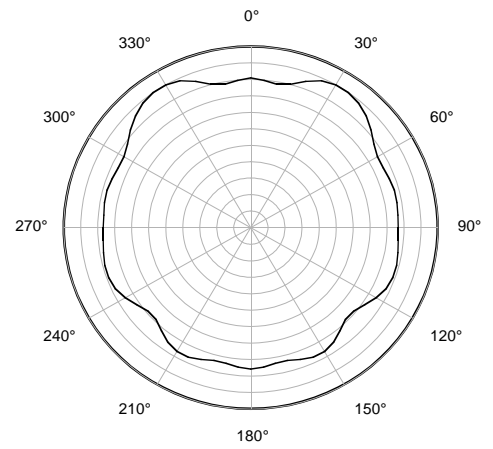
1 division = 6 dB

# Horizontal 1/3 Octave Band Polars for UB42

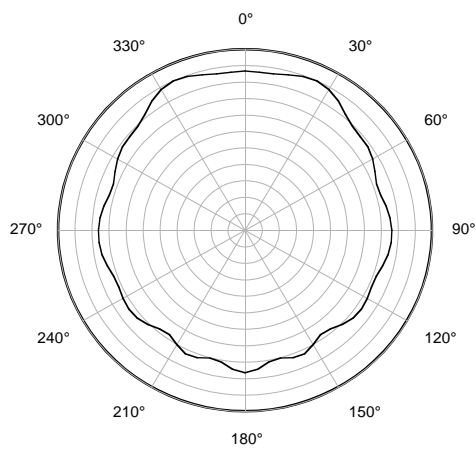
630



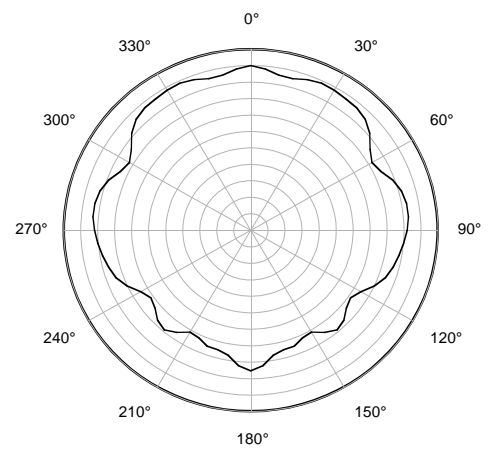
800



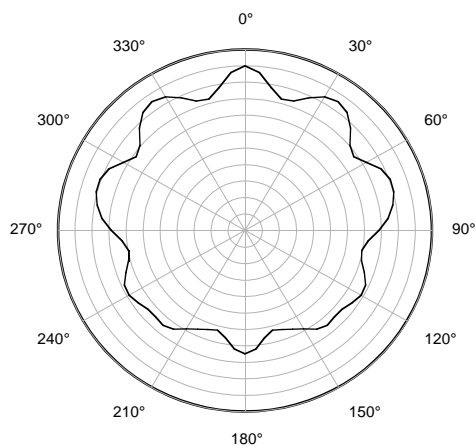
1000



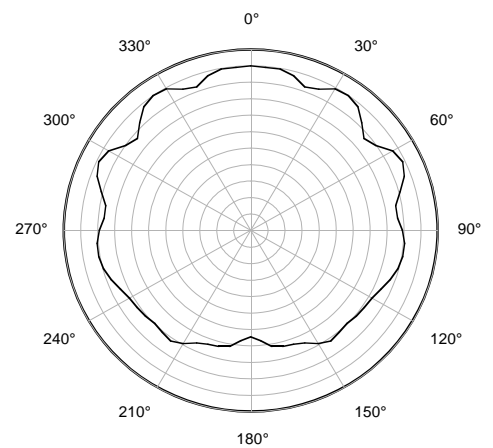
1250



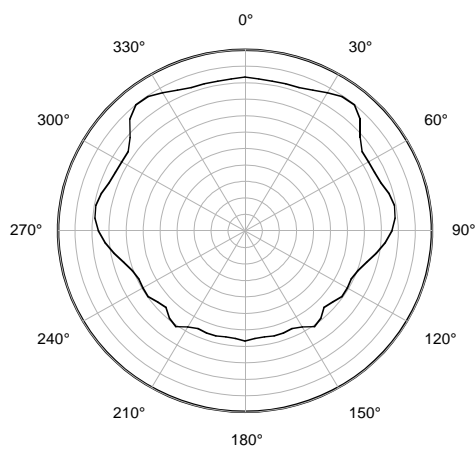
1600



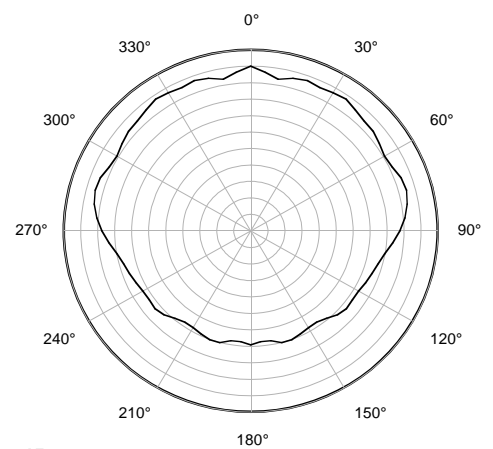
2000



2500



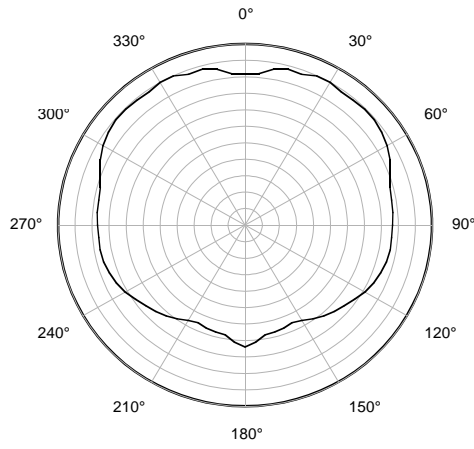
3150



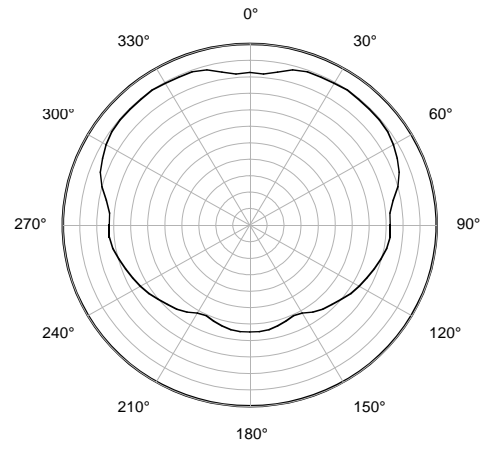
1 division = 6 dB

# Horizontal 1/3 Octave Band Polars for UB42

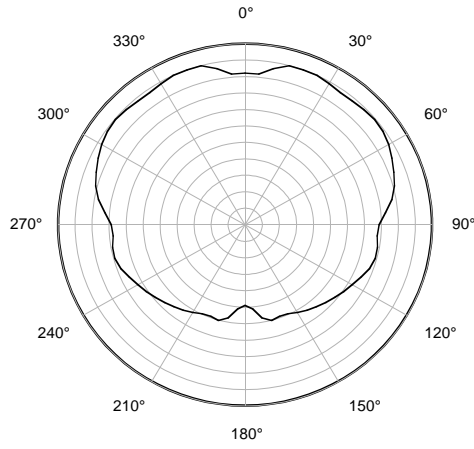
4000



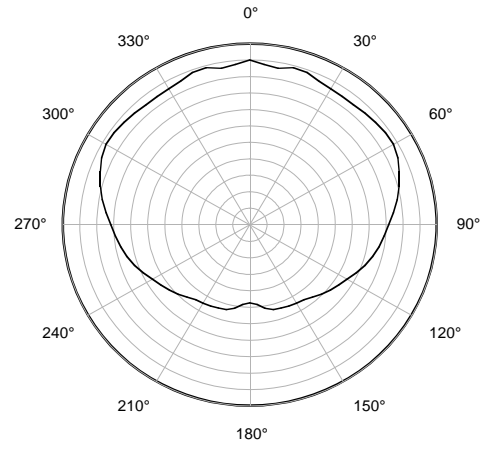
5000



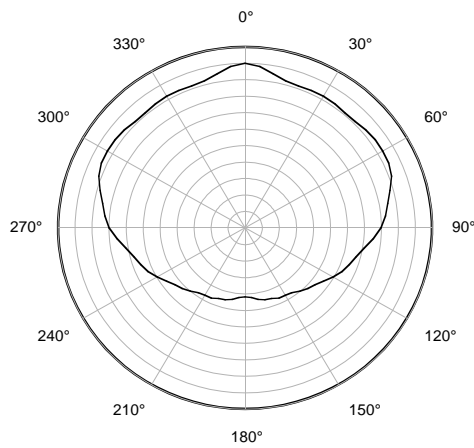
6300



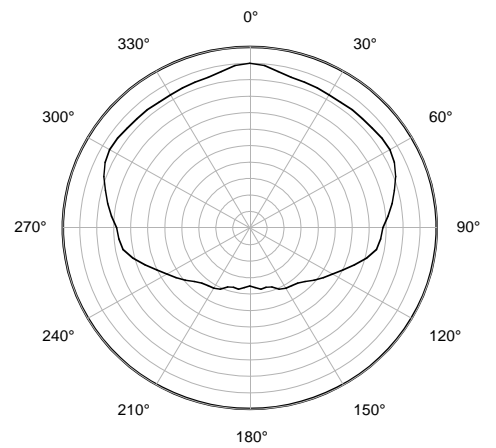
8000



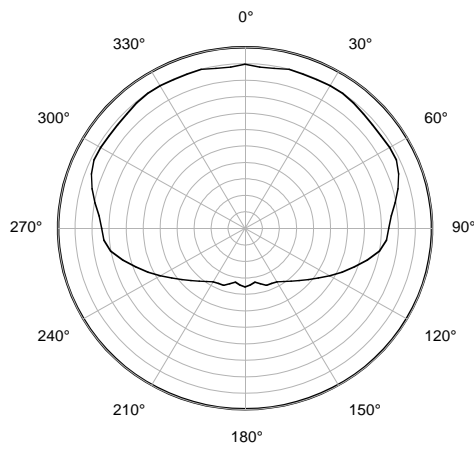
10000



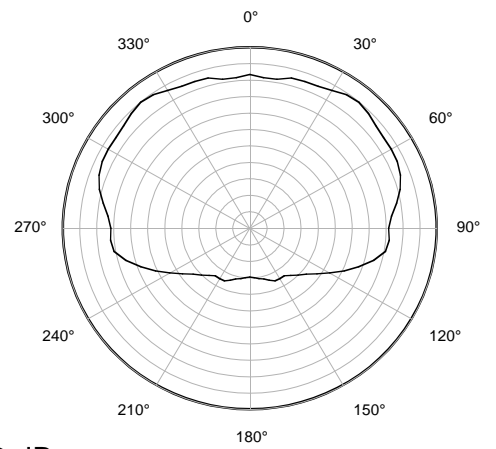
12500



16000



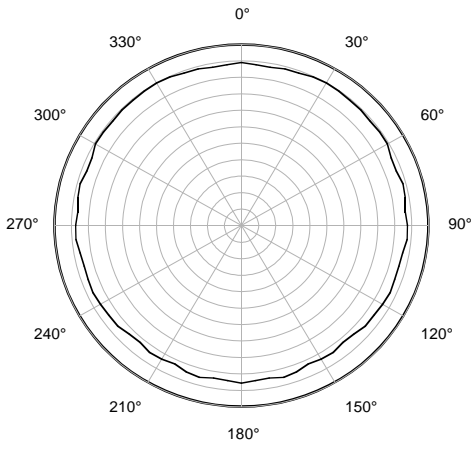
20000



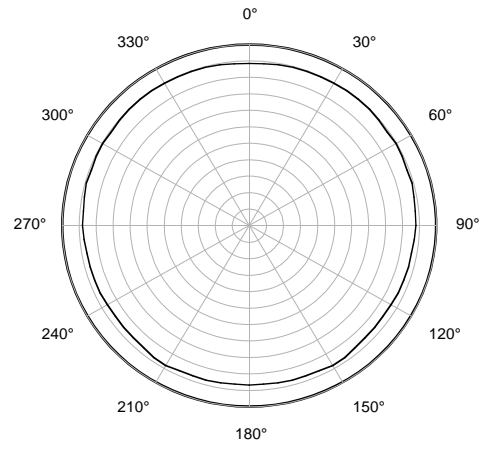
1 division = 6 dB

# Vertical 1/3 Octave Band Polars for UB42

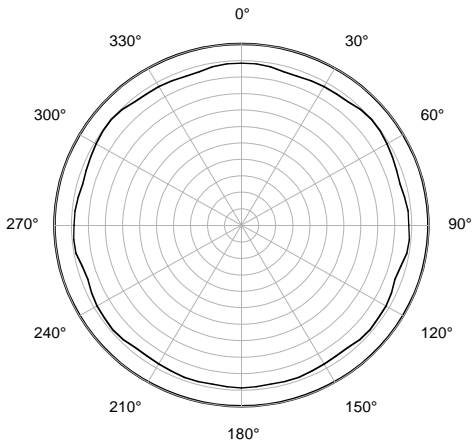
100



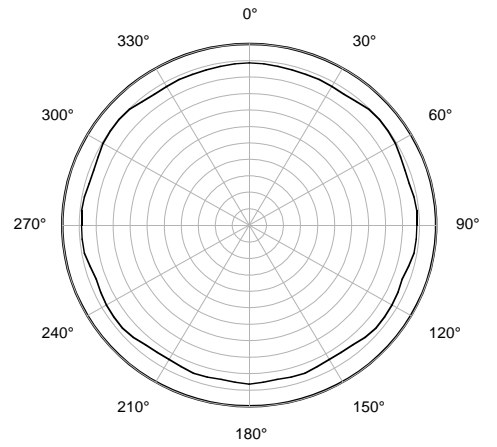
125



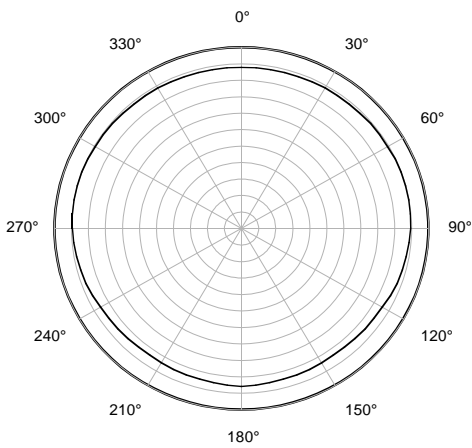
160



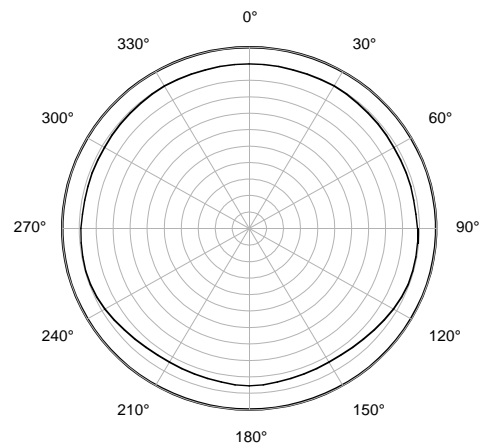
200



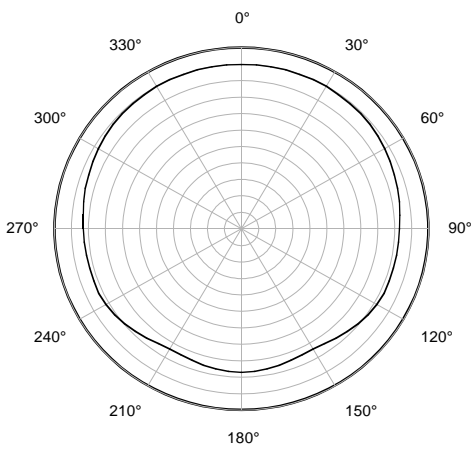
250



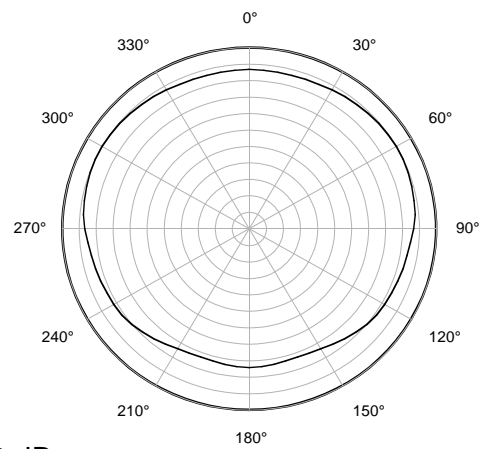
315



400



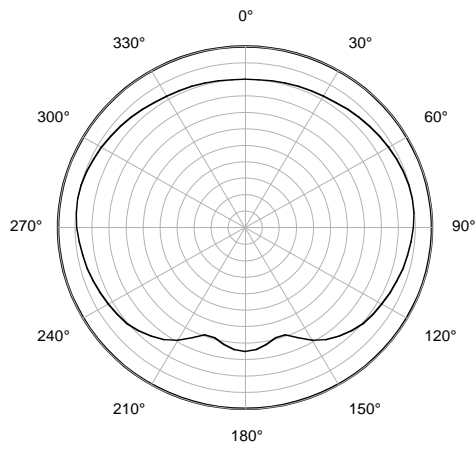
500



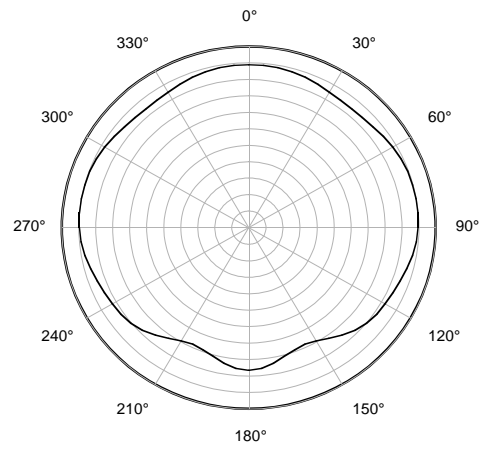
1 division = 6 dB

# Vertical 1/3 Octave Band Polars for UB42

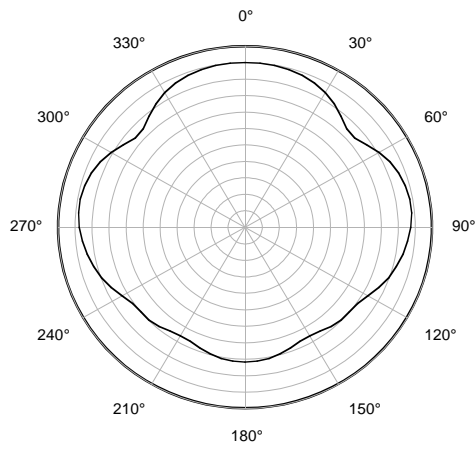
630



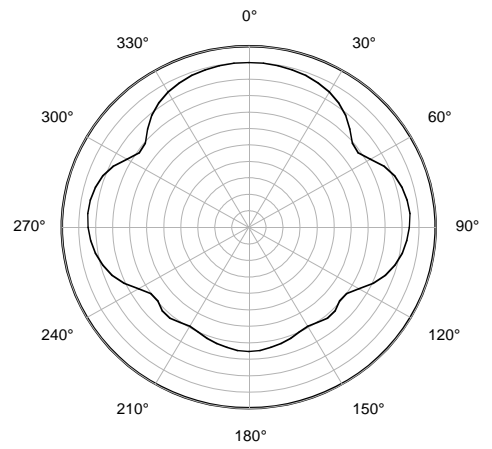
800



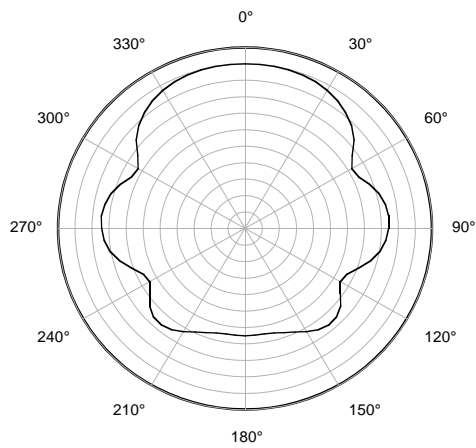
1000



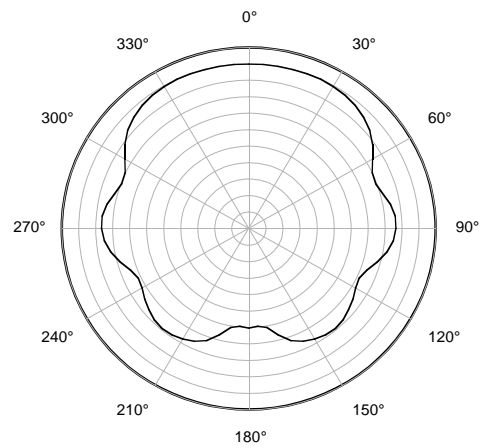
1250



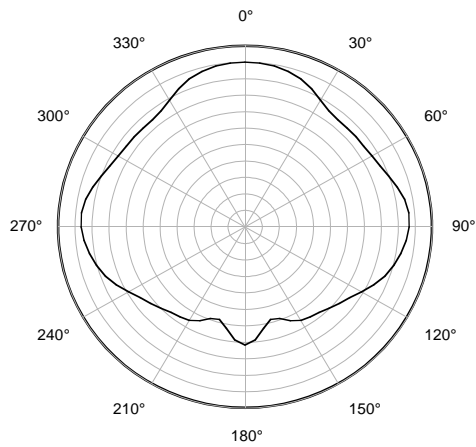
1600



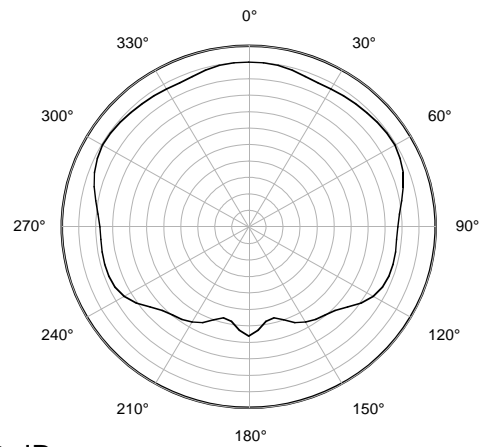
2000



2500



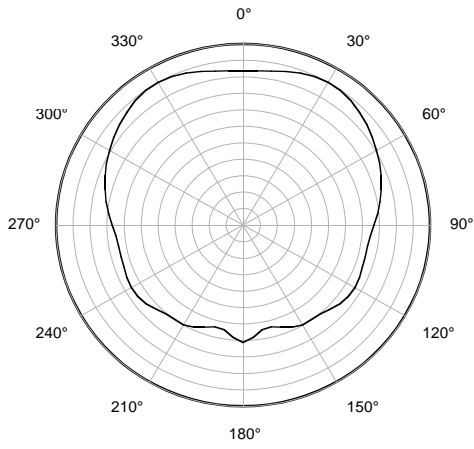
3150



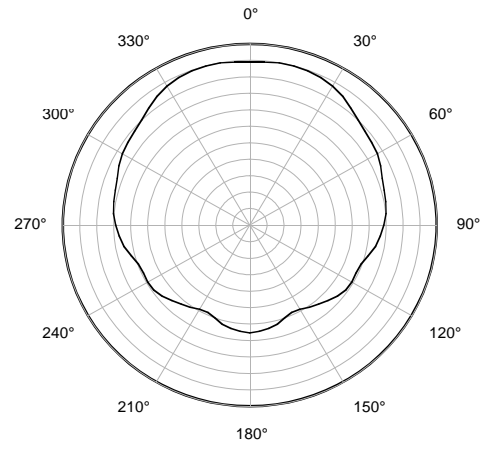
1 division = 6 dB

# Vertical 1/3 Octave Band Polars for UB42

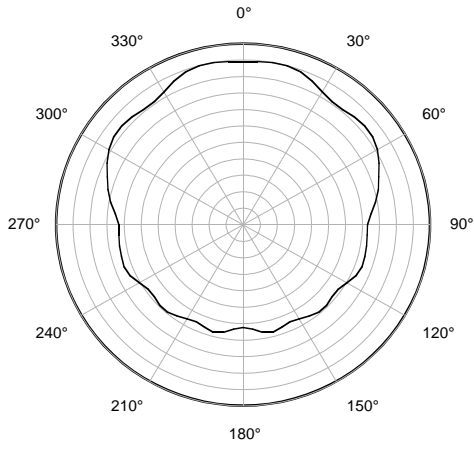
4000



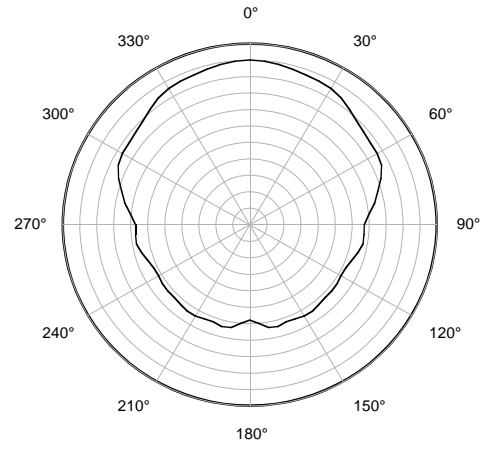
5000



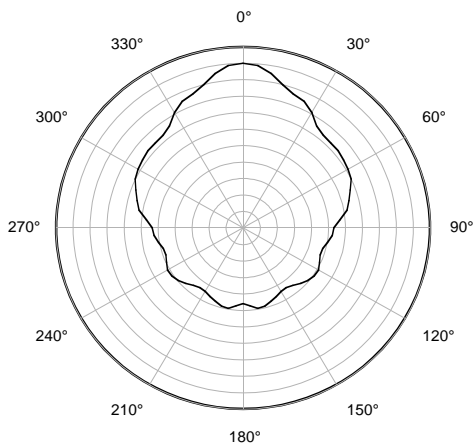
6300



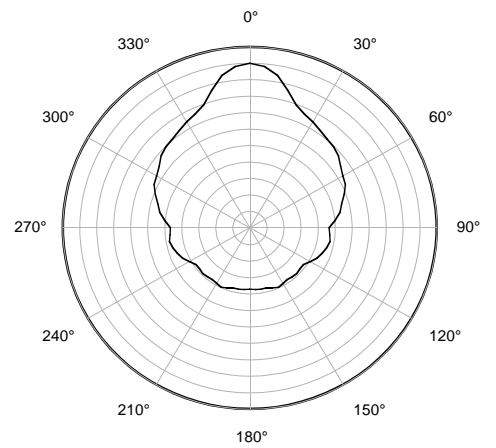
8000



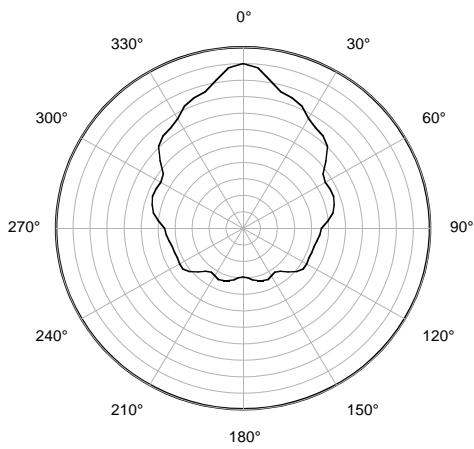
10000



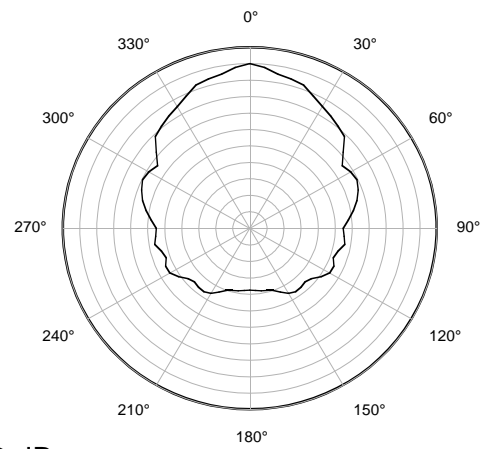
12500



16000



20000



1 division = 6 dB