

DESCRIPTION

The SMS2990 significantly advances small loudspeaker technology in providing superior voice intelligibility, coherence and pattern control, combined with convenient, flexible mount capabilities.

The two-way SMS2990 (4 x 3-inch LF, 1 x 1.3-inch HF, 90-degree by 90-degree coverage pattern) incorporates proprietary Theta Technology™, with the LF drivers configured in a precise arrangement to provide excellent pattern control and coherency below the LF/HF crossover. The LF drivers also couple at lower frequencies, providing LF output of a much larger driver without sacrificing sound quality through the crossover region. The custom high-power HF driver complements the LF subsystem throughout the critical speech range.

The SMS2990 is designed for surface mounting using the proprietary Clip-Fit™ system. All connections for the loudspeaker are contained within the Clip-Fit wall-mount unit via a single Molex connector, with the wall-mount unit pre-mounted at the preferred position on a wall. The installer then just “clips” the loudspeakers onto the Clip-Fit arm, and in one motion, the audio connection is terminated and the loudspeaker is live. The wall-mount unit offers a pan/tilt positioning range for precise aiming. For basic installations, SMS loudspeakers are also provided with U-brackets.

Features

- 4 x 3-inch Kevlar LF transducers
- 1 x 1.3-inch HF dome tweeter
- 90° x 90° coverage pattern
- Theta Technology = superior coherence and pattern control
- Crossover optimized for speech intelligibility
- UV/weather resistant HIPS (High Impact Polystyrene) enclosure
- Convenient, flexible Clip-Fit mounting system

Applications

- Meeting Rooms
- Houses of Worship
- Courtrooms
- Multizone Paging/Music Systems
- Hotels
- Boardrooms
- Multi-Purpose Facilities



SPECIFICATIONS

CONFIGURATION

Subsystem:	<i>Transducer</i> LF 4x 3 in cone HF 1x 1.3 in dome	<i>Loading</i> Vented Horn-loaded
Operating Mode:	<i>Amplifier Channels</i> Single-amp LF/HF	<i>External Signal Processing</i> HPF

PERFORMANCE

Operating Range:	90 Hz to 20 kHz	
Nominal Beamwidth:	Horz 90°	Vert 90°
Axial Sensitivity (whole space SPL):	LF/HF 90 dB 90 Hz to 20 kHz	
Input Impedance (ohms):	<i>Nominal</i> LF/HF 8	<i>Minimum</i> 6.5 @ 325 Hz
Input Taps (w/CF-1TX version):	70 V: 64 W / 32 W / 16 W / 8 W 100 V: 64 W / 32 W / 16 W	
High Pass Filter:	High Pass=>90 Hz, 24 dB/octave Butterworth	
Accelerated Life Test: LF/HF 32 V	125 W @ 8 ohm	
Calculated Axial Output Limit (whole space SPL):	<i>Average</i> LF/HF 111 dB	<i>Peak</i> 117 dB

PRODUCT DATA

Model Name:	SMS2990
Part Number:	0018515 Black 0018516 White

PHYSICAL

Height (front face):	12 in / 30.48 cm
Width (front face):	7.62 in / 19.35 cm
Depth (from face, backwards):	8.26 in / 20.98 cm
Weight:	6.2 lbs / 2.81 kg

ACCESSORIES

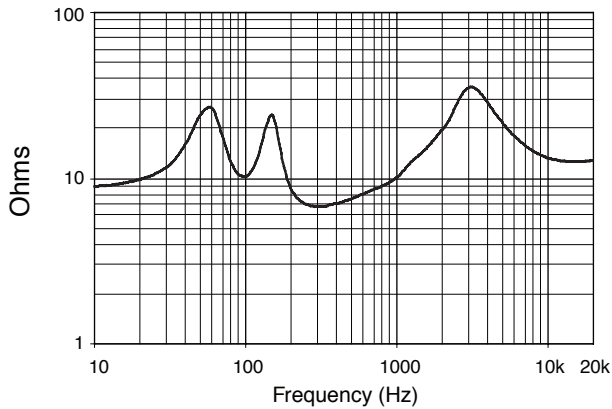
CF-2TX Black	0023521
CF-2TX White	0023522
CF-2LZ Black	0023515
CF-2LZ White	0023516



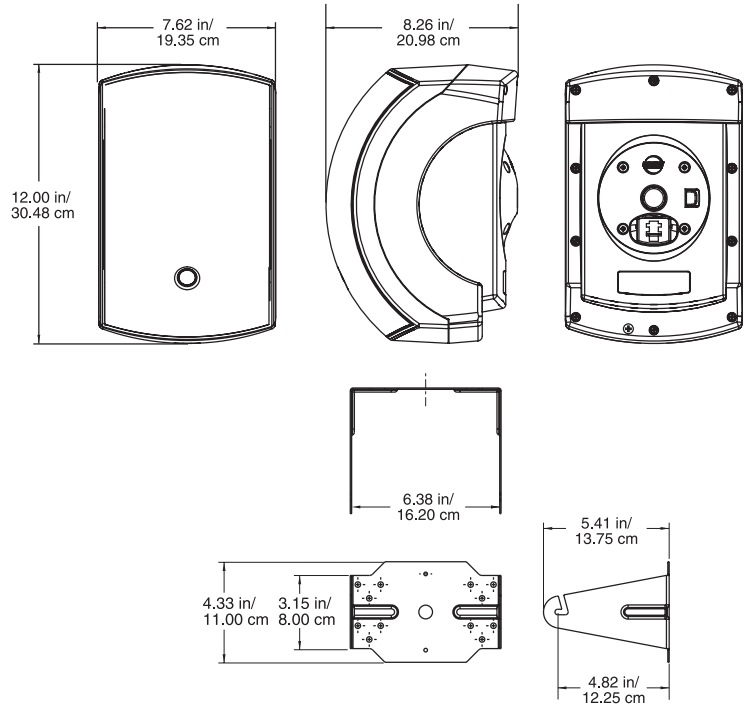
SMS2990

2-Way Surface Mounted Loudspeaker

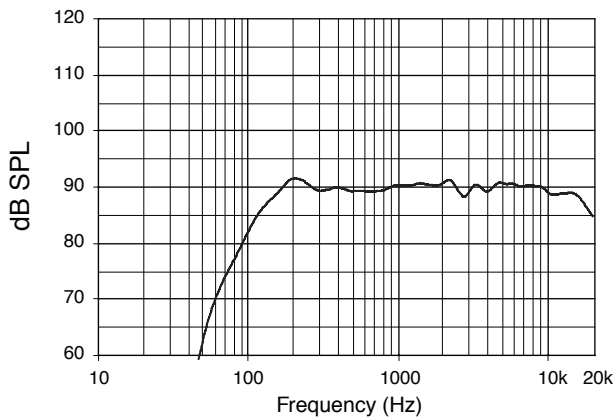
SMS2990 Impedance vs. Frequency



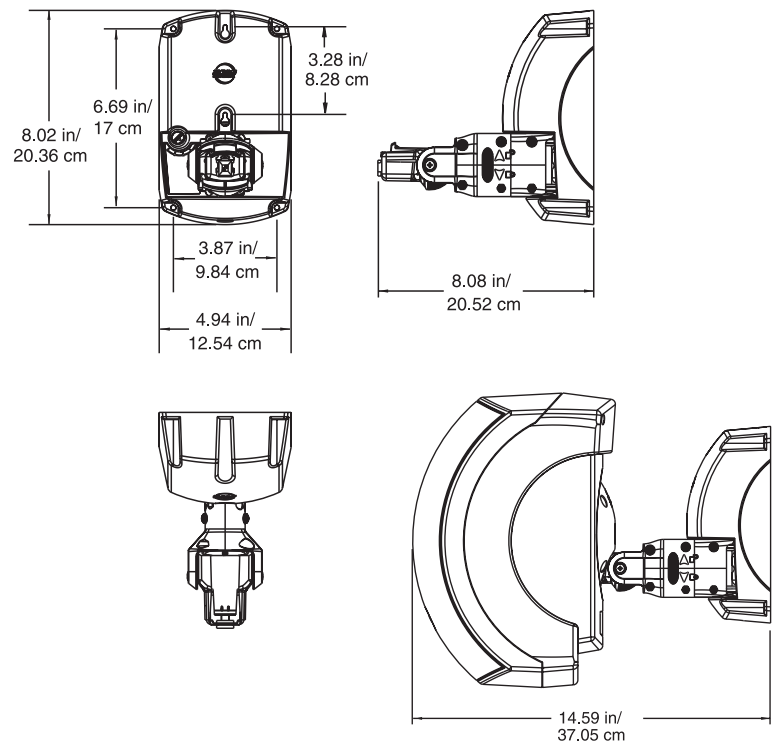
Dimensions



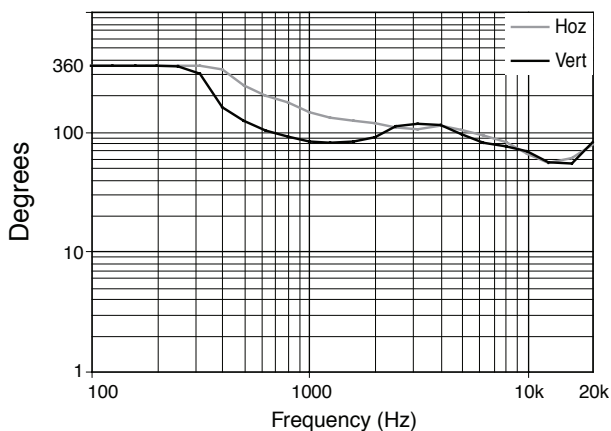
SMS2990 Axial Response vs. Frequency



Clip-fit bracket dimensions:



SMS2990 Beamwidth vs. Frequency



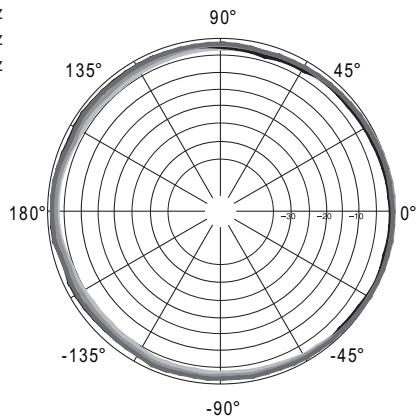


SMS2990

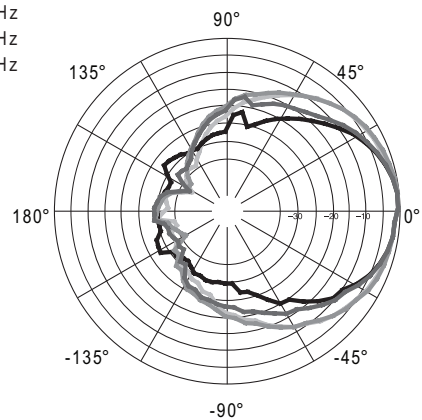
2-Way Surface Mounted Loudspeaker

SMS2990 VERTICAL POLARS

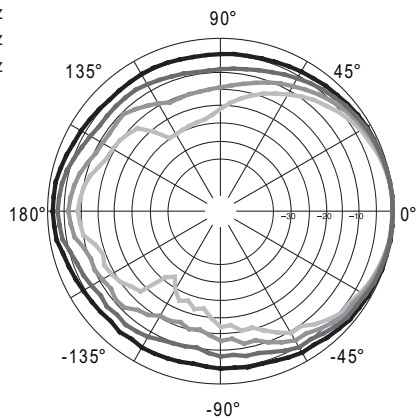
- 100 Hz
- 125 Hz
- 160 Hz
- 200 Hz



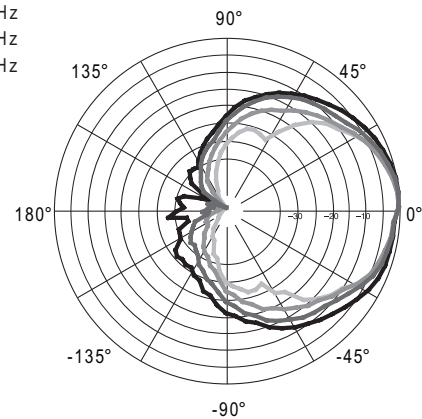
- 1600 Hz
- 2000 Hz
- 2500 Hz
- 3150 Hz



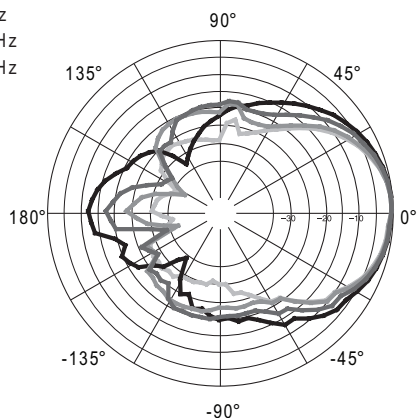
- 250 Hz
- 315 Hz
- 400 Hz
- 500 Hz



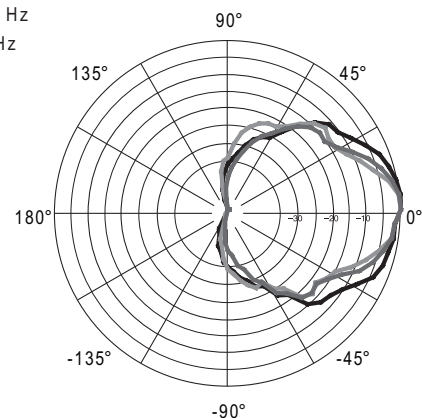
- 4000 Hz
- 5000 Hz
- 6300 Hz
- 8000 Hz



- 630 Hz
- 800 Hz
- 1000 Hz
- 1250 Hz



- 10000 Hz
- 12500 Hz
- 16000 Hz



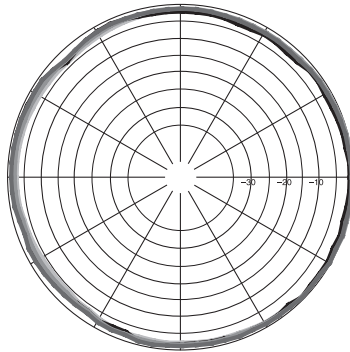


SMS2990

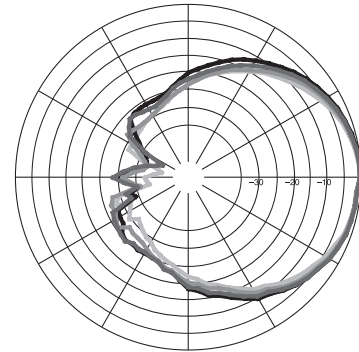
2-Way Surface Mounted Loudspeaker

SMS2990 HORIZONTAL POLARS

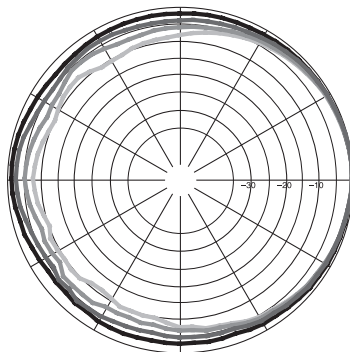
— 100 Hz
— 125 Hz
— 160 Hz
— 200 Hz



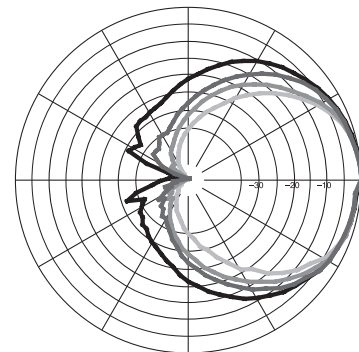
— 1600 Hz
— 2000 Hz
— 2500 Hz
— 3150 Hz



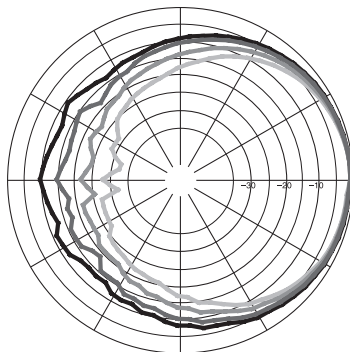
— 250 Hz
— 315 Hz
— 400 Hz
— 500 Hz



— 4000 Hz
— 5000 Hz
— 6300 Hz
— 8000 Hz



— 630 Hz
— 800 Hz
— 1000 Hz
— 1250 Hz



— 10000 Hz
— 12500 Hz
— 1600 Hz

