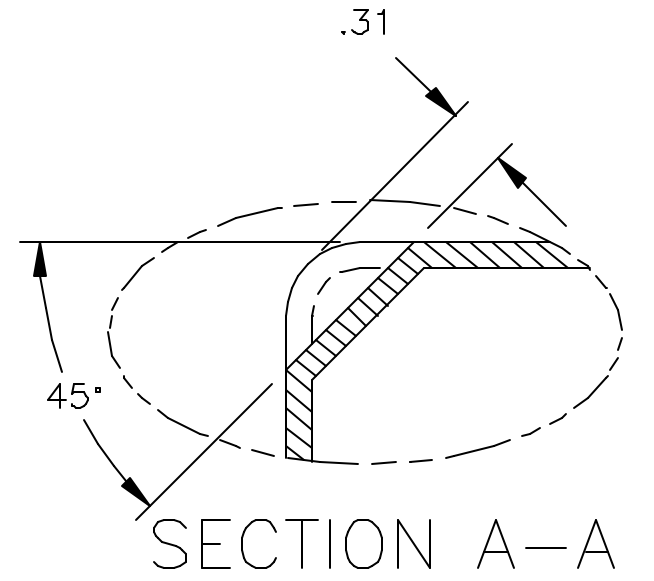
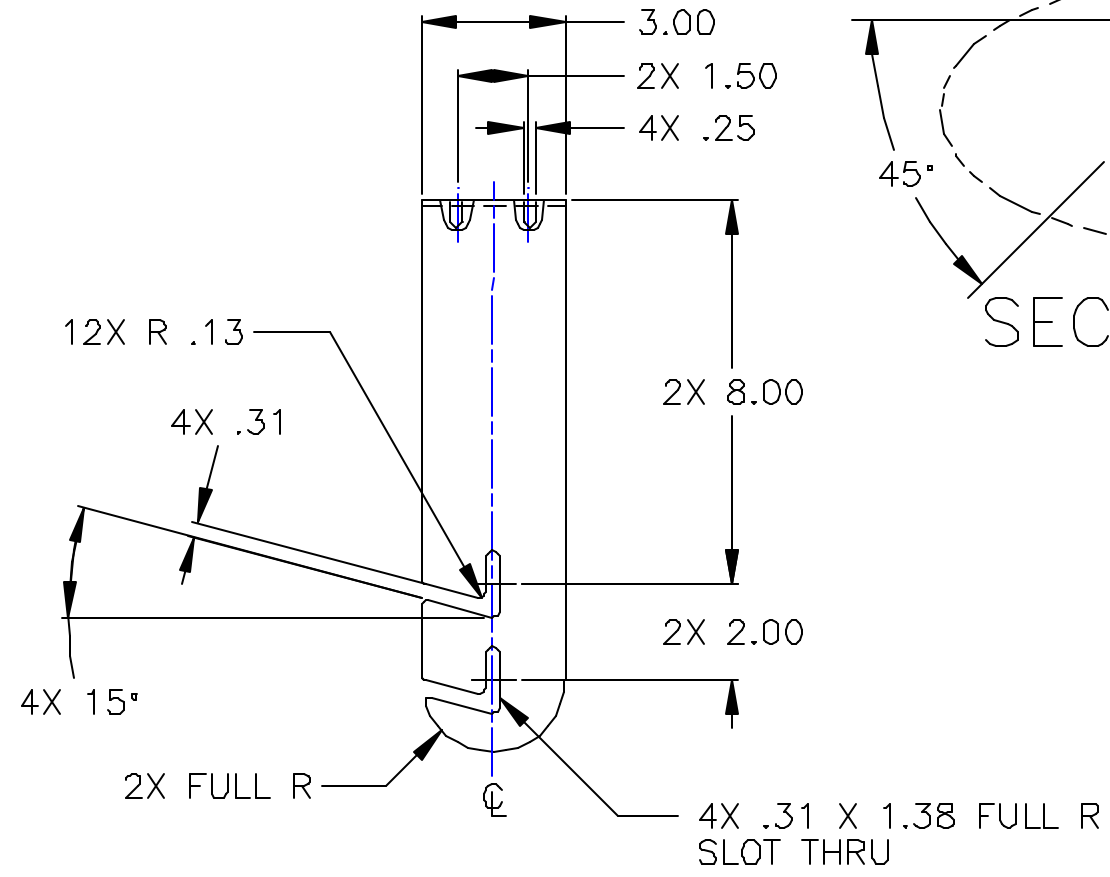
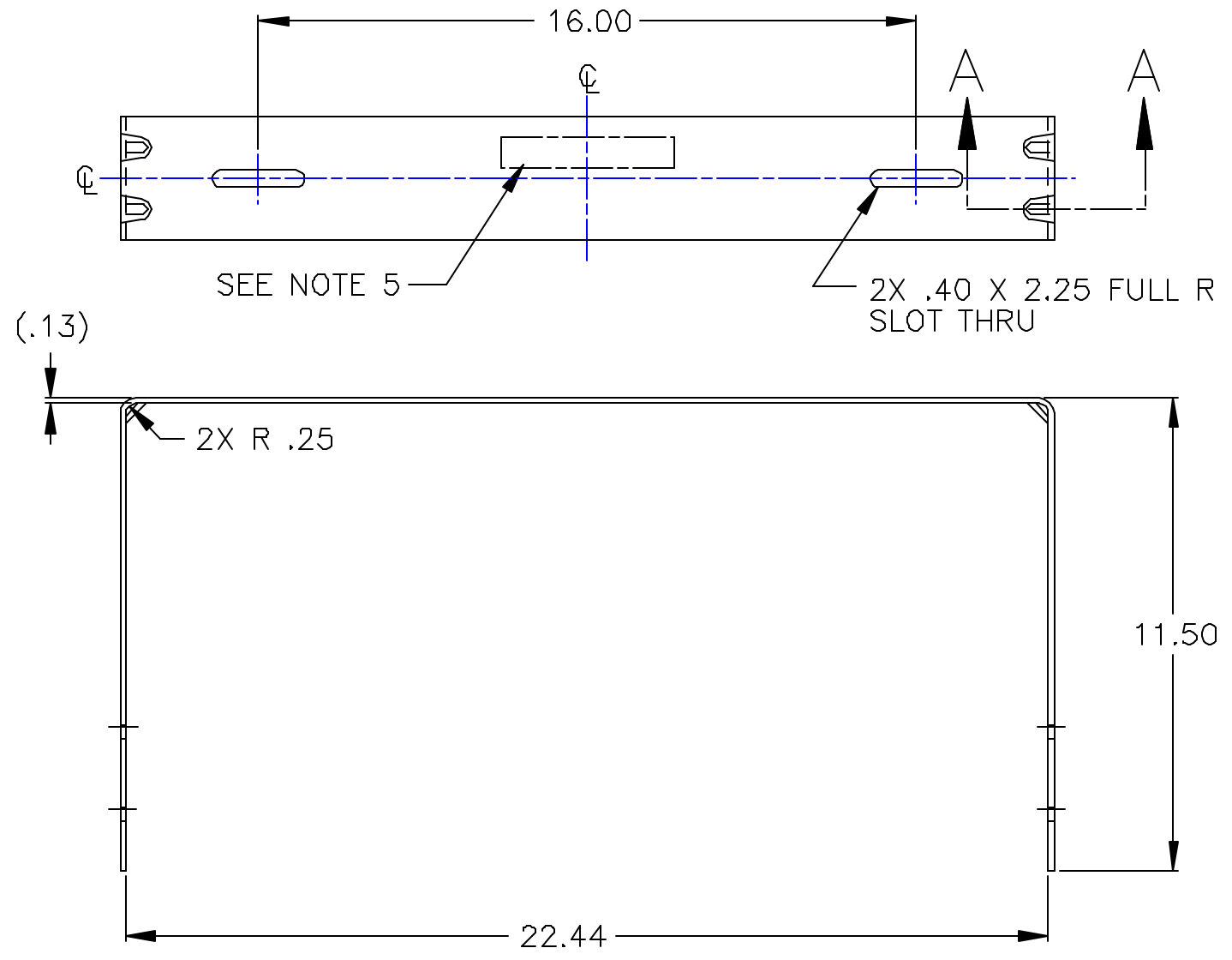


- NOTES:
1. MATERIAL: 10 GA (.134) CRS.
  2. FINISH: DUPONT EFB-504 SO RAVEN BLACK POWDERCOAT, SHERWIN WILLIAMS POWDURA EPOXY POWDERCOAT OR MORTON 10-7068 VISTA BLACK POWDERCOAT.
  3. REMOVE BURRS AND SHARP EDGES.
  4. PARTS TO BE CLEANED AND FREE OF GREASE AND DEBRIS.
  5. EAW PART NUMBER AND CURRENT REVISION TO BE STAMPED, LABELED, OR PERMANENTLY MARKED WHERE SHOWN IN A CONTRASTING COLOR. USE OF EMBOSSING STAMP PERMITTED. LETTERS TO BE 1/8" TALL MINIMUM IF EMBOSSSED. CONTRASTING INK NOT REQUIRED.
  6. REFER TO EAW MATERIAL SPECIFICATION 480455 FOR LABELING AND SHIPPING REQUIREMENTS.

REV	DESCRIPTION	APVD/DATE
1	NEW ISSUE PER DSR 04-052 MFL 1/16/04	KFH 1/22/04 JM 1/22/04
2	4X ADDED .31 WIDE ACCESS CHANNEL TO SLOTS SEE ZONES B4 & B5. 4X DELETED Ø .31 THRU HOLE AND 2X ADDED .40 X 2.25 FULL R SLOTS SEE ZONES C1, C2 & C3. 2X 8.00 WAS 2X 7.03 & 2X 2.00 WAS 2X 3.00 SEE ZONE B5. 11.50 WAS 11.53 SEE ZONE B3. PER DSR 04-142 MFL 2/5/04	RS 2/11/04 JN 2/11/04



DOCUMENT CONTROL PER SPECIFICATION 4.5.201

<p>THIRD ANGLE PROJECTION</p> <p>THIS DRAWING IS THE PROPERTY OF EAW AND SHALL NOT BE COPIED, REPRODUCED, OR USED AS THE BASIS FOR MANUFACTURE OR SALE OF APPARATUS WITHOUT WRITTEN AUTHORIZATION. DO NOT SCALE DRAWING.</p>	<p>UNLESS OTHERWISE SPECIFIED: ALL DIMENSIONS ARE IN INCHES</p> <p>TOLERANCE IN INCHES X ± .1    .XX ± .03    .XXX ± .010 FRACTIONS ± 1/32 ANGLES ± 1/2°</p> <p>(X.XX) = REF DIMS NO TOLERANCE IMPLIED</p> <p>T.S.C.=THEORETICAL SHARP CORNER DIMENSIONS ACROSS CENTERLINES TO BE SYMMETRICAL</p>	STATUS: <b>PROTOTYPE</b>		EASTERN ACOUSTIC WORKS ONE MAIN STREET WHITINSVILLE, MA 01588 USA	
		APPROVALS	DATE		<p>TITLE: <b>BRACKET/WALLMOUNT/VR62</b></p>
		DRAWN: MFL	1/16/04		
		CHECKED:			
DES ENG:		<p><b>B</b> SHEET 1 OF 1    SCALE: 1 TO 4</p>			
MFG ENG:		DRAWING NUMBER: 0009742	REVISION: 2		