

DESCRIPTION

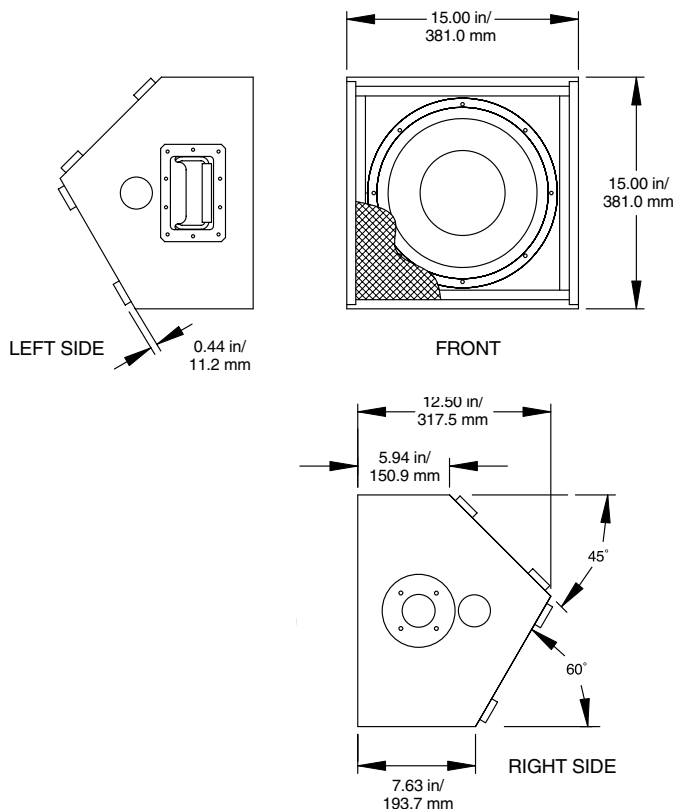
The VRM12 is engineered for superior performance as a floor monitor and as a stand-mounted portable PA speaker. The low-profile, dual-angle enclosure houses a 12-inch coaxial driver that cuts through stage volume with high output capability. Coherent point source reproduction helps deliver crisp speech for meetings and presentations, while the 12-inch LF driver delivers full range musical sound.

The cross-ply laminated birch enclosure includes loop-thru Neutrik NL4 Speakon jacks on either side to minimize cable runs and clutter on stage. Rubber feet stabilize the enclosure on the floor. A pole mount cup and integral handle are included for stand-mounting and transport.

The VRM12 is available in either black or white finish. A foam-backed powder-coated steel grill protects the driver. The entire loudspeaker is fully tested at the time of manufacture and is warranted to be free from defects in materials and workmanship for a period of five years from the date of purchase.



VRM12 DIMENSIONS



Features

- Coaxial 12-inch/1-inch full range driver
- Wide-angle 90° x 90° (nominal) HF beamwidth
- Enclosure has both 30° and 45° wedge angles
- Pole mount cup allows use as portable PA
- Integral passive crossover network allows economical single-amplifier powering

Applications

- Houses of Worship
- Theaters
- Presentation
- Portable PA
- TV studios
- Audiovisual
- Performing Arts
- Classrooms



VRM12

TWO-WAY COAX MONITOR/PA LOUDSPEAKER

SPECIFICATIONS

PRODUCT DATA

Model Name	VRM12
Part Number	Black: 0010102 White: 0011351
File creation date	7/29/2004

SPECIFICATION SHEET TABULAR DATA

Descriptive Data		
Ways	Type	Mode
2-way	Full-Range	Single Amp

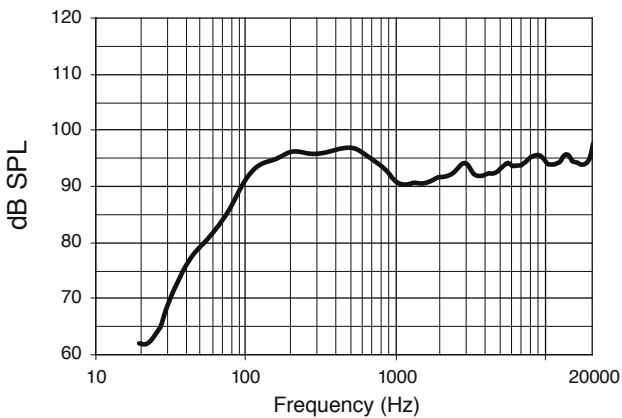
CONFIGURATION

Subsystem/Transducer	Loading
LF	1x12 in cone — Sealed
HF	1x1 in exit compression driver — Horn-loaded

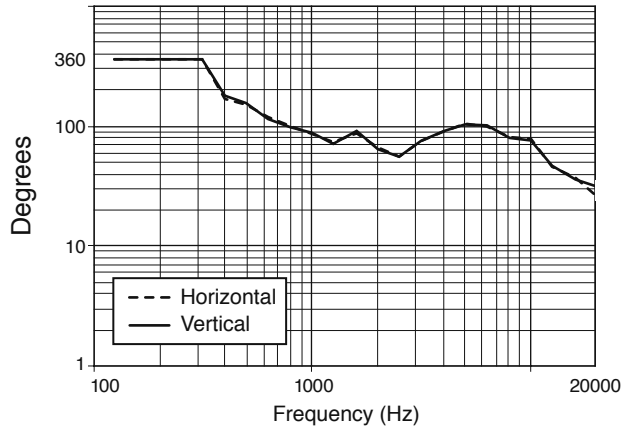
PERFORMANCE

Operating Range	73 Hz to 20000 Hz	
Nominal Beamwidth	Horizontal	90°
	Vertical	90°
Axial Sensitivity (whole space SPL)	94 dB	73 Hz to 20000 Hz
	Peak Sensitivity (whole space SPL)	97 dB
Input Impedance (ohms)	Nominal	Minimum
	8	6.6 @ 200 Hz
Recommended High-Pass Filter	High Pass => 60 Hz, 24 dB/octave Butterworth	
Power Handling	300 W	49 V @ 8 ohms
	Calculated Maximum SPL	Average
	119 dB	125 dB

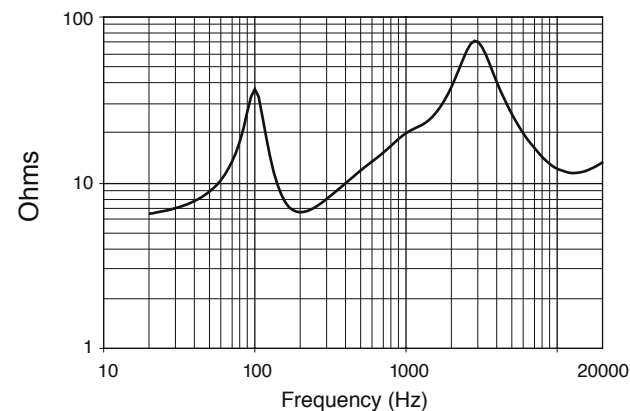
VRM12 FREQUENCY RESPONSE ON-AXIS



VRM12 BEAMWIDTH VS. FREQUENCY



VRM12 IMPEDANCE VS. FREQUENCY

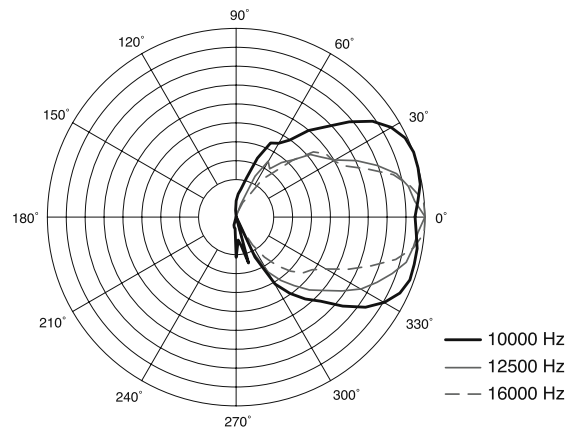
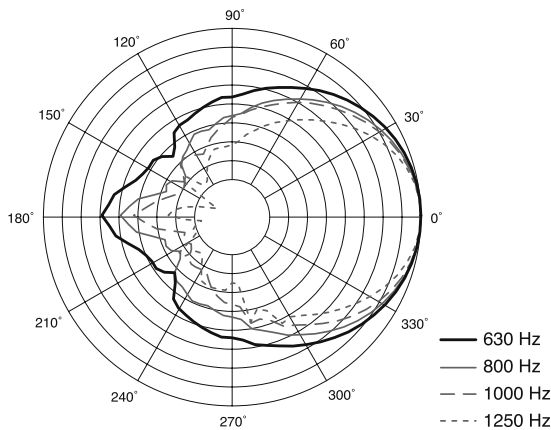
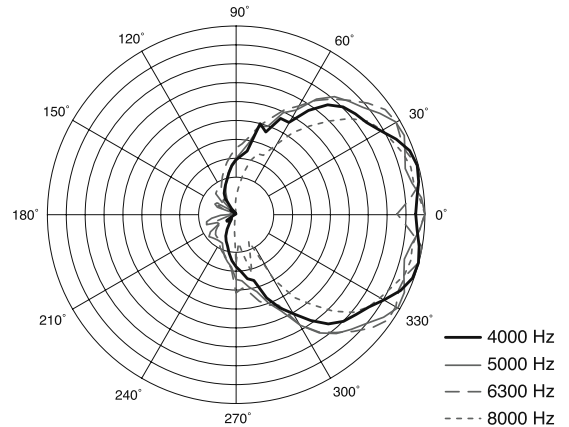
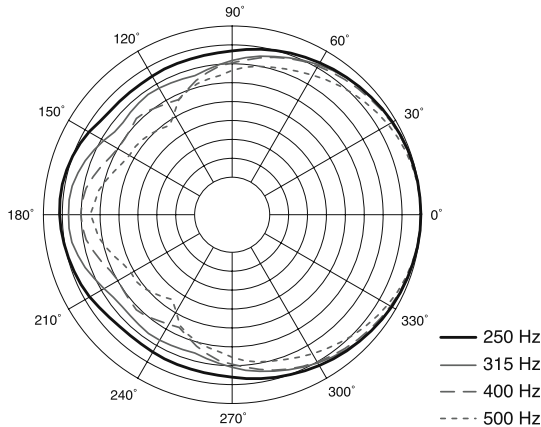
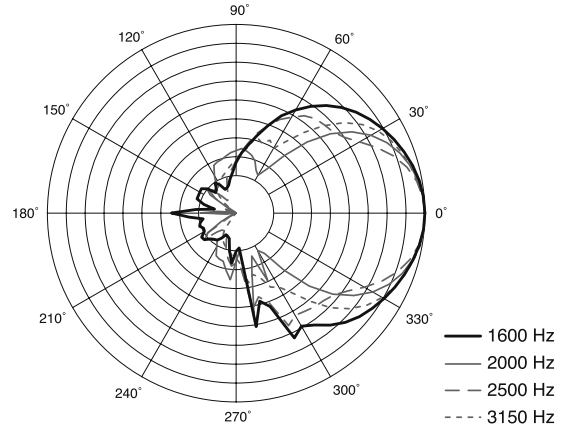
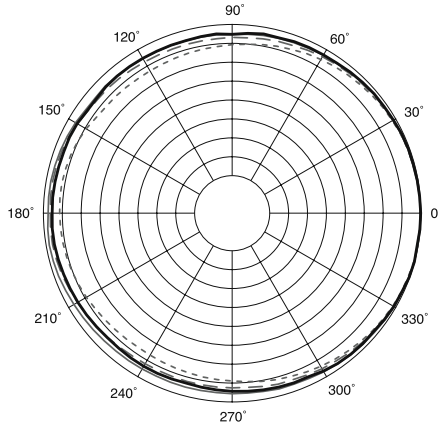




VRM12

TWO-WAY COAX MONITOR/PA LOUDSPEAKER

VRM12 VERTICAL POLARS



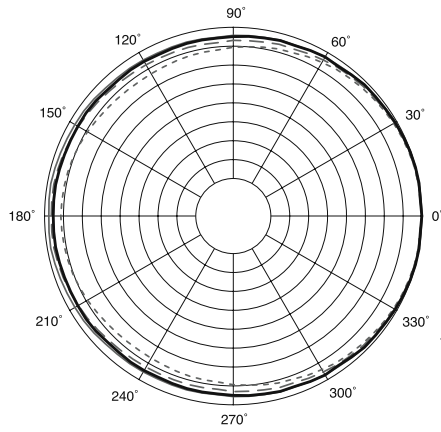
(Chart Scale = 3 dB / division)



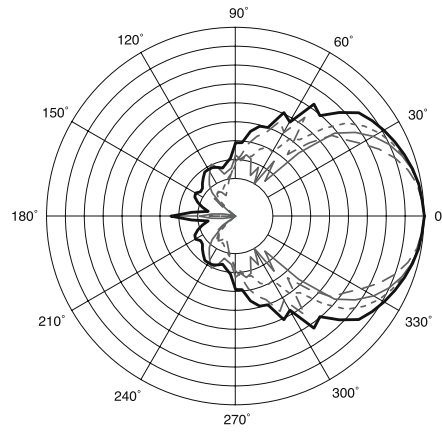
VRM12

TWO-WAY COAX MONITOR/PA LOUDSPEAKER

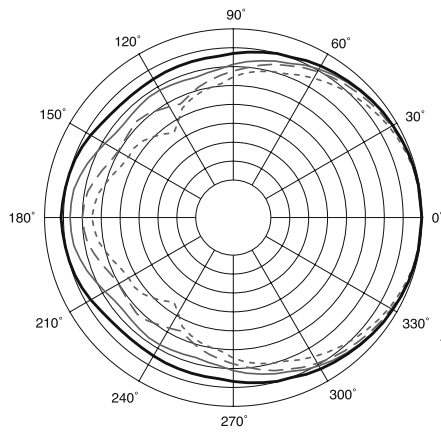
VRM12 HORIZONTAL POLARS



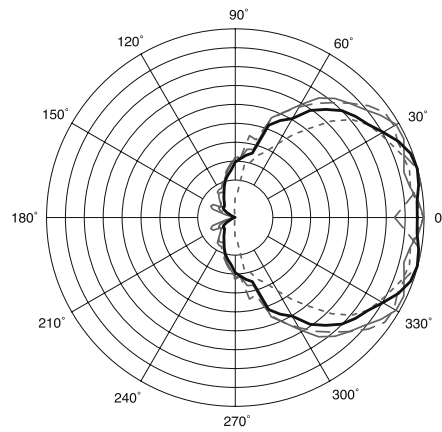
- 100 Hz
- 125 Hz
- - 160 Hz
- - - 200 Hz



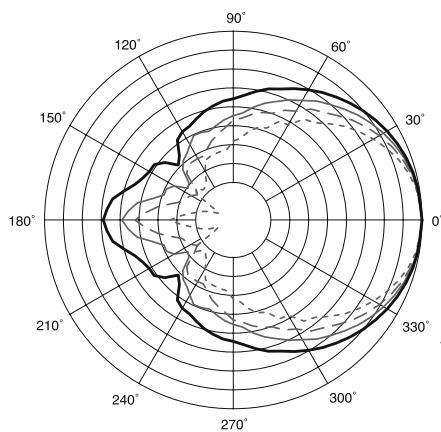
- 1600 Hz
- 2000 Hz
- - 2500 Hz
- - - 3150 Hz



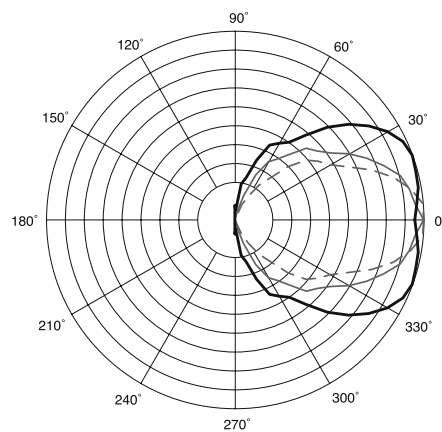
- 250 Hz
- 315 Hz
- - 400 Hz
- - - 500 Hz



- 4000 Hz
- 5000 Hz
- - 6300 Hz
- - - 8000 Hz



- 630 Hz
- 800 Hz
- - 1000 Hz
- - - 1250 Hz



- 10000 Hz
- 12500 Hz
- - 16000 Hz

(Chart Scale = 3 dB / division)