



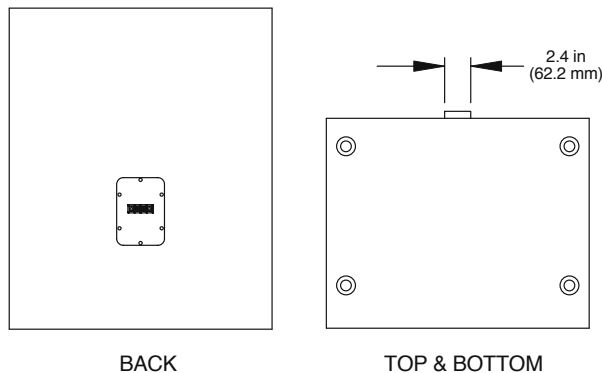
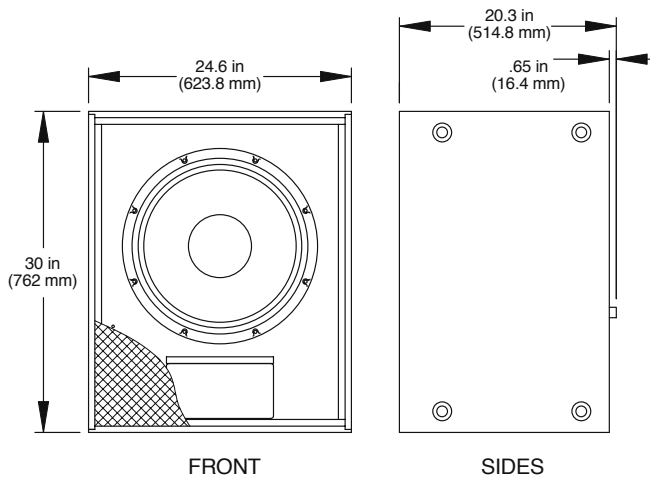
VRS18

18-INCH SUBWOOFER

DESCRIPTION

The VRS18 is engineered to provide high output, authoritative bass response wherever maximum LF impact is required. The cross-ply laminated birch enclosure is available in either black or white finish. It includes a number of threaded inserts for use with forged shoulder eyebolts. A foam-backed powder-coated steel grill protects the driver. The entire loudspeaker is fully tested at the time of manufacture and is warranted to be free from defects in materials and workmanship for a period of five years from the date of purchase.

VRS18 DIMENSIONS



Features

- Companion subwoofer for all full range VR Series loudspeakers
- 18 inch woofer in rigid, vented enclosure
- Same height as VR21 and VRS18 full range loudspeakers

Applications

- Houses of Worship
- Night Clubs
- Audiovisual Presentation
- Retail Environments
- Distributed Systems
- Theaters
- Theme Parks



VRS18

18-INCH SUBWOOFER

SPECIFICATIONS

PRODUCT DATA

Model Name	VRS18
Part Number	Black: 0010167 White: 0011353
File creation date	8/03/2004

SPECIFICATION SHEET TABULAR DATA:

Descriptive Data			
	Ways	Type	Mode
	N/A	Subwoofer	Single Amp

CONFIGURATION

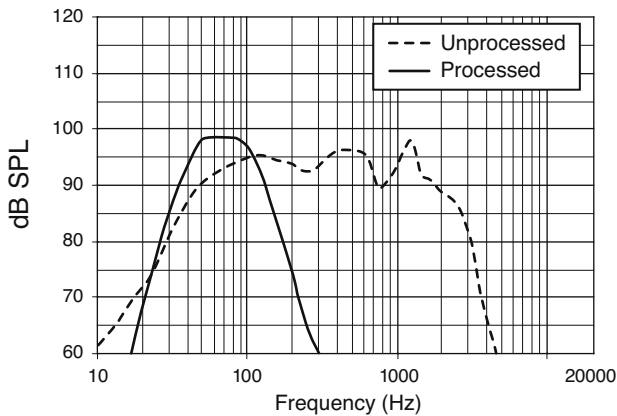
Subsystem	Transducer	Loading
	Sub Bass	1x18 in cone — Vented

PERFORMANCE

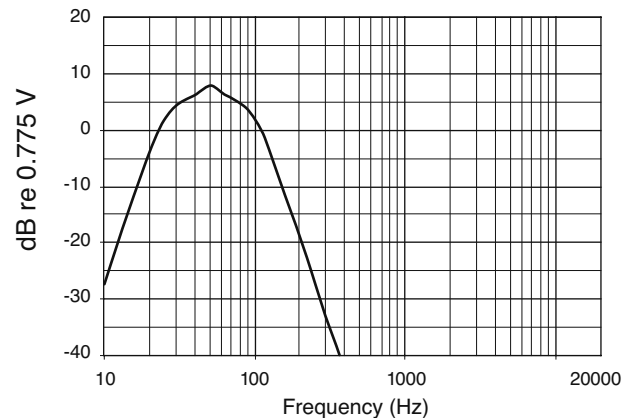
Operating Range*	31 Hz to 145 Hz	
Axial Sensitivity (whole space SPL)	93 dB 31 Hz to 145 Hz	
Peak Sensitivity (whole space SPL)	98 dB 20 Hz to 20 kHz	
Input Impedance (ohms)	Nominal	Minimum
	8	9.1 @ 110 Hz
Recommended High-Pass Filter	High Pass => 25 Hz, 24 dB/octave Butterworth	
Power Handling (preliminary)	500 W	64 V @ 8 ohms
Calculated Maximum SPL (preliminary)	Average	Peak
	120 dB	126 dB

* With 100 Hz / 24 dB / octave Butterworth low pass filter. Highest recommended low pass = 150 Hz

VRS18 FREQUENCY RESPONSE ON-AXIS



VRS18 PROCESSOR FREQUENCY RESPONSE



VRS18 IMPEDANCE VS. FREQUENCY

