



# Instructions/JFX Series Suspension Kit

*These instructions apply to JFX200, JFX260, JFX290, JFX560, and JFX590 loudspeakers.*

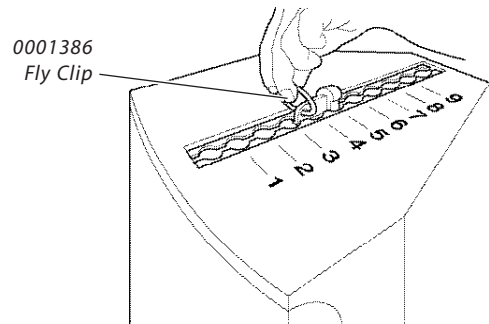
## DESCRIPTION

The JFX Suspension Kit consists of Fly Clip Rings to support the weight of the loudspeakers and Splay Brackets that set the recommended enclosure splay angle for arraying.

**WARNING:** Only persons with the knowledge of proper hardware and safe rigging techniques should attempt to suspend loudspeakers overhead. Failure to follow this warning may result in damage to the equipment, injury, or death.

### JFX Series Suspension Kit Parts List:

<u>EAW P/N</u>	<u>Qty</u>	<u>Description</u>
0001386	2	Clip/Fly/Ring ID 1.73
See Table Below	2	Bracket/Splay
104001	2	Eye Bolt/Shoulder 3/8-16
102134	4	Bolt/Hex head 3/8-16
105010	4	Washer/Flat 3/8
105011	4	Washer/Lock 3/8
0005915	1	Instructions/JFX Series Splay Kit



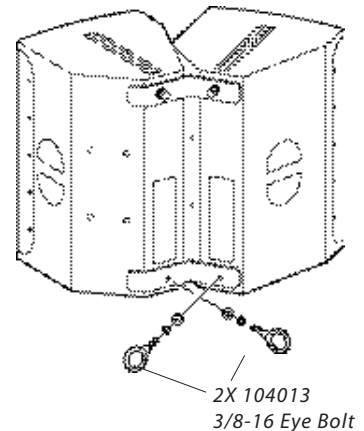
## FLY CLIP

**Usage:** The weight of each loudspeaker in an array must be supported by its own Fly Clip. The user must provide the connection between each Fly Clip and structure capable of supporting the entire array.

**Installation:** Insert each Fly Clip Ring into an enclosure mounting track. Slide it along the track until locked in place. There are nine possible track positions, each providing a different array down angle.

## EYE BOLT

**Usage:** In some cases, a pull-back will be required to set a desired array down angle. For this purpose, use the supplied load-rated Eye Bolts in place of the lower Bracket Bolts. Use a bridle between the Eye Bolts.



## SPLAY BRACKET

**Usage:** The supplied pair of Splay Brackets is used to position two adjacent loudspeakers at the recommended splay angle. The brackets are fastened to the threaded holes in the back of the enclosures.

**WARNING:** The Splay Brackets are not load-rated and cannot support the weight of the loudspeakers for either mounting, suspension, or as an array "pull-back". The user must provide other means to support the full weight of each loudspeaker when installed.

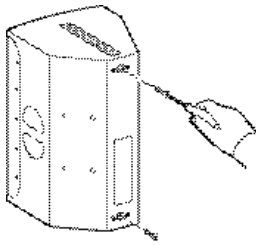
**Bracket Kits:** The only difference between Bracket Kits is the actual bracket itself. Each is designed for a specific JFX model (see table below). Using the incorrect bracket will cause performance problems in the acoustical overlap between the loudspeakers. Use the following list to ensure you have the correct Bracket Kit for the JFX model loudspeaker you are using.

<u>JFX Bracket P/N</u>	<u>Description</u>	<u>JFX Bracket Kit P/N</u>	<u>Description</u>
0005355	Bracket/Splay/JFX260	0005911	Bracket Kit/JFX260
0005354	Bracket/Splay/JFX200 /JFX290	0005912	Bracket Kit/JFX200/JFX290
0005356	Bracket/Splay/JFX560	0005913	Bracket Kit/JFX560
0005352	Bracket/Splay/JFX590	0005914	Bracket Kit/JFX590

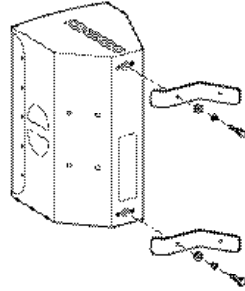
**Installation:** The Splay Brackets can be installed before or after the loudspeaker array is suspended or mounted. Avoid subjecting the bracket to excessive torque or bending loads that could deform the bracket and result in improper splay angles. There is only ONE correct way a Splay Bracket can be installed. The end with the short bend MUST be to the left.

**NOTE:** All left/right references are looking at the rear of the upright loudspeakers.

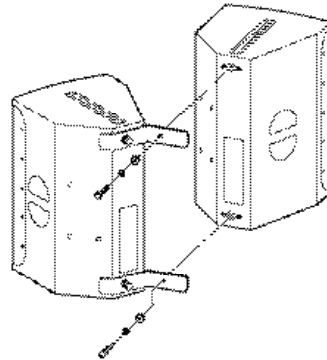
#### ARRAYING TWO LOUDSPEAKERS



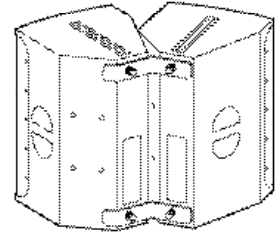
1. Remove the top and bottom 3/8-16 mounting bolts from the rear of each enclosure.



2. Fasten both brackets (short bend toward the left) to the left-most enclosure in the array with the supplied bracket bolts, lock and flat washers. Hand-tighten the bolts.



3. Attach the second enclosure and hand-tighten the supplied bolt assemblies.



4. Ensure that the brackets lay flat against the rear of both enclosures and the enclosure sides are parallel. Then, snugly tighten all the bolts so that each lock washer is properly engaged.

If you have questions about these instructions or about suspending or arraying more than two (2) JFX Series loudspeakers please contact the EAW Application Support Group:

Tel 800-992-5013 (USA only)

Tel 508-234-6158

Fax 508-234-8251

E-mail [asg@eaw.com](mailto:asg@eaw.com)

**Thank you for purchasing  
EAW products**

The Laws of Physics | The Art of Listening



One Main Street, Whitinsville, MA 01588 tel 800 992 5013 / 508 234 6158 fax 508 234 8251 web [www.eaw.com](http://www.eaw.com)  
EAW is the worldwide technological and market leader in the design and manufacture of high-performance, professional loudspeaker systems.

