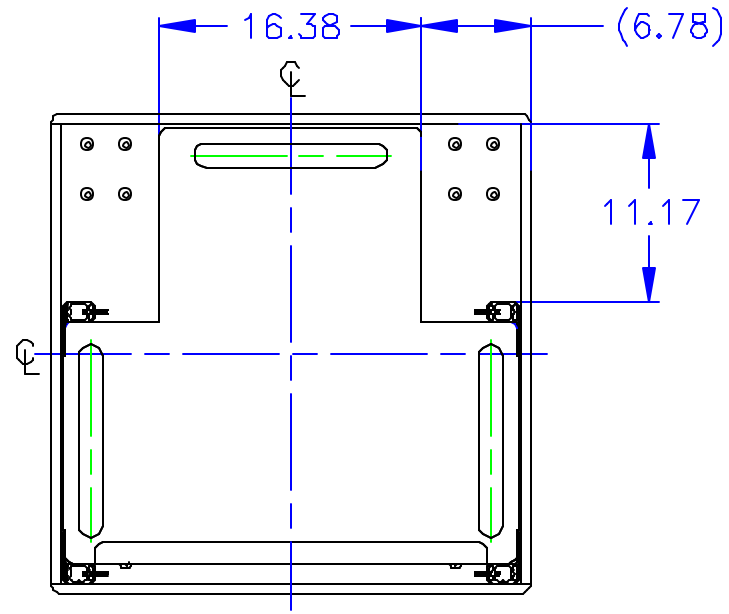
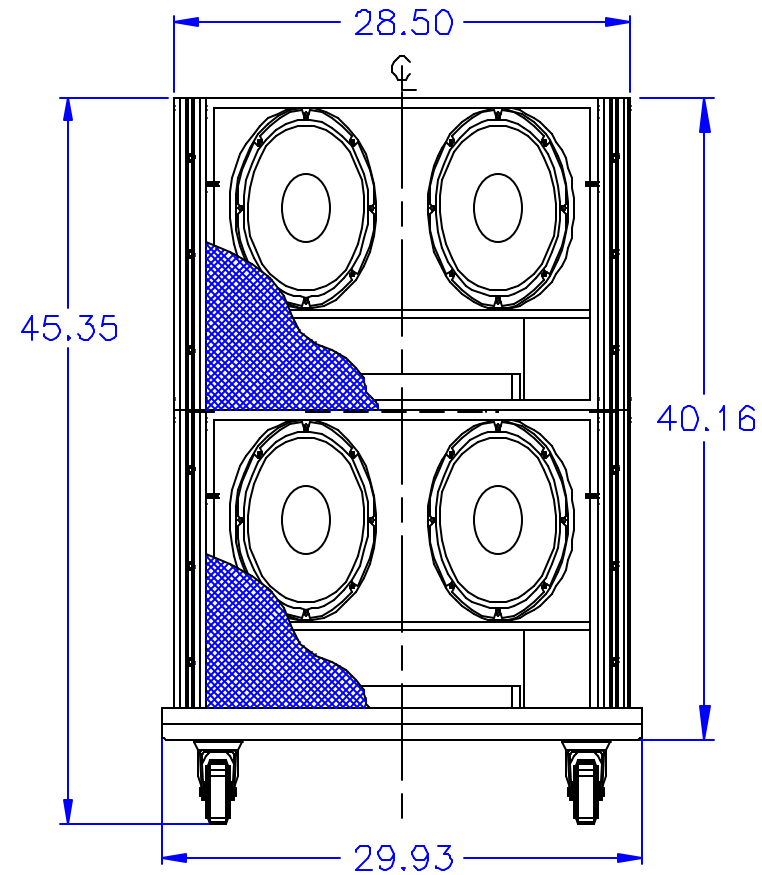


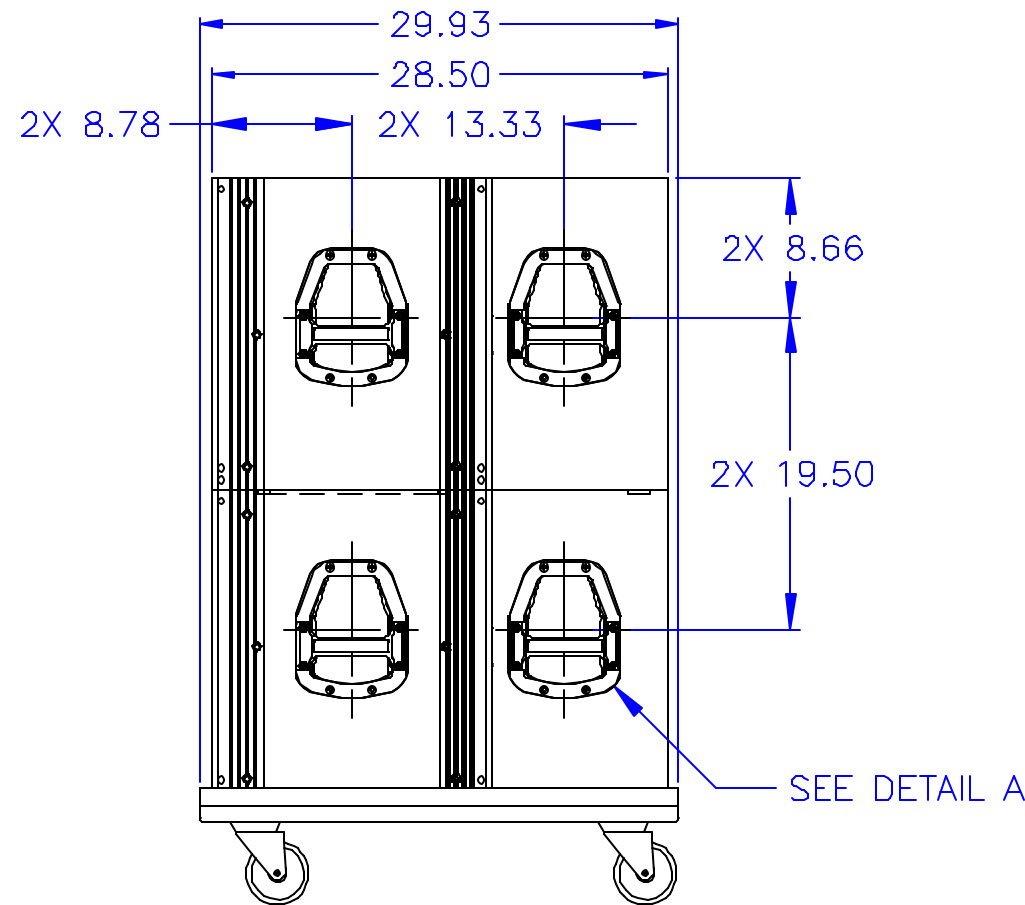
| REV | DESCRIPTION | APVD/DATE |
|-----|----------------------------------------------------------------------------------------------------------------------|------------|
| 1 | NEW ISSUE PER DSR #03-658 MELANIE 5/23/03 | RS 5/23/03 |
| 2 | ADDED TOP VIEW, DETAIL A, AND DIMS 2X 8.78, 2X 13.33, 2X 8.66, AND 2X 19.50 PER DSR #03-770 MELANIE 6/16/03 | RS 6/19/03 |



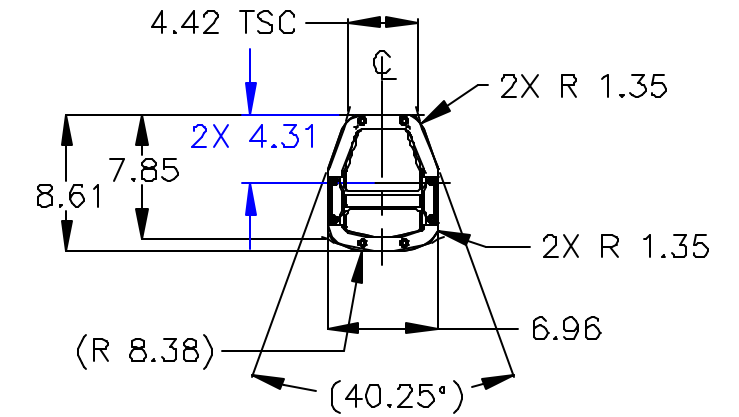
TOP



FRONT/BACK



RIGHT SIDE
DIMENSIONS APPLY TO BOTH SIDES



DETAIL A
8X HANDLE

DOCUMENT CONTROL PER SPECIFICATION 4.5.201

| | | | | |
|------------------------------------------------------------------------------------------------------------------------------------------------------------------------------------------------|----------------------------------------------------------------------------------------------------------------------------------------------------------------------------------------------------------------------------------------------------------------------------------------------------------------------------------------------|----------------------------------------------------------------------------------------|---------------------------------|----------------------------------------------------------------------------------|
| <p>THIRD ANGLE PROJECTION</p> | <p>UNLESS OTHERWISE SPECIFIED: ALL DIMENSIONS ARE IN INCHES</p> <p>TOLERANCE IN INCHES</p> <p>.X ± .1 .XX ± .03 .XXX ± .010</p> <p>FRACTIONS ± 1/32</p> <p>ANGLES ± 1/2°</p> <p>(X.XX) = REF DIMS NO TOLERANCE IMPLIED</p> <p>T.S.C. = THEORETICAL SHARP CORNER</p> <p>DIMENSIONS ACROSS CENTERLINES TO BE SYMMETRICAL</p> | <p>STATUS: PROTOTYPE</p> | | <p>EASTERN ACOUSTIC WORKS ONE MAIN STREET WHITINSVILLE, MA 01566 USA</p> |
| | | <p>APPROVALS</p> <p>DRAWN: MELANIE</p> <p>CHECKED:</p> <p>DES ENG:</p> <p>MFG ENG:</p> | <p>DATE: 5/23/03</p> | |
| <p>THIS DRAWING IS THE PROPERTY OF EAW AND SHALL NOT BE COPIED, REPRODUCED, OR USED AS THE BASIS FOR MANUFACTURE OR SALE OF APPARATUS WITHOUT WRITTEN AUTHORIZATION. DO NOT SCALE DRAWING.</p> | | | <p>B SHEET 1 OF 1</p> | <p>SCALE: 1 TO B</p> |
| | | | <p>DRAWING NUMBER: SK001470</p> | <p>REVISION: 2</p> |